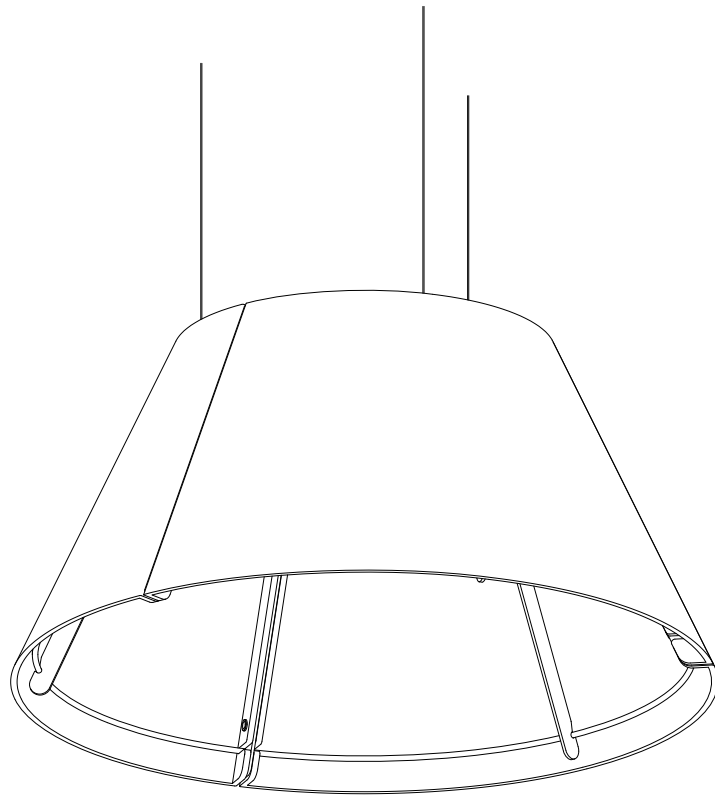


SABIN



INSTALLATION GUIDE

TAPER

INSTALLING TAPER

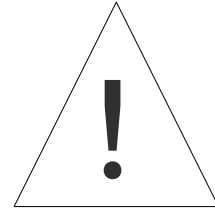
**THIS IS A GUIDE TO ASSIST WITH YOUR
SABIN PRODUCT INSTALLATION.**

The following pages explain best practices for a successful installation. Please note these are not comprehensive to every installation environment. Please contact our factory for specific questions.

STEPS

- 1 STORAGE AND HANDLING
- 2 FIXTURE ASSEMBLY
- 3 SURFACE TYPES
 - 3A Drywall / Hard Surface
 - 3B Ceiling Strut
 - 3C Ceiling Grid
- 4 AIRCRAFT CABLE
- 5 FINAL STEPS

READ PRIOR TO STARTING YOUR INSTALLATION



This product is suitable for indoor dry location only.

Do not switch line voltage until all the wiring is complete.

These products may represent a potential shock or fire hazard if improperly installed.

Products should be installed in accordance with local and National Electric Code (NEC).

This product should only be installed by a licensed Electrician.

Allow air to flow freely around the fixture.

Do not install the Fixture closer than 6.0" to combustible material.

Do not use if there is any damage to the unit or to the wiring/insulation. Inspect periodically.

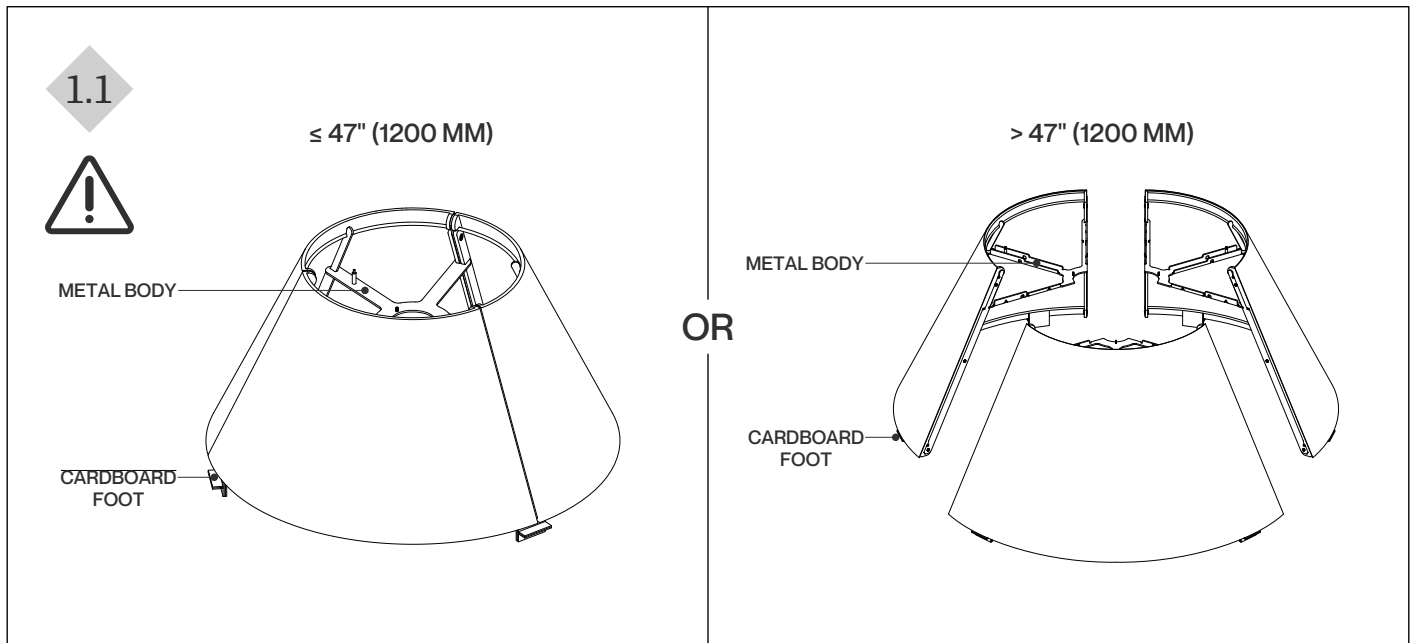
Confirm the proper gauge wires are used between Power Supplies, Controls & Fixture to avoid voltage drop.

Installer is responsible for reinforcing the walls and/or ceilings to properly support the fixture weight.

Sabin LLC, accepts no responsibility for inadequately reinforced walls and/or ceilings.

STEP 1

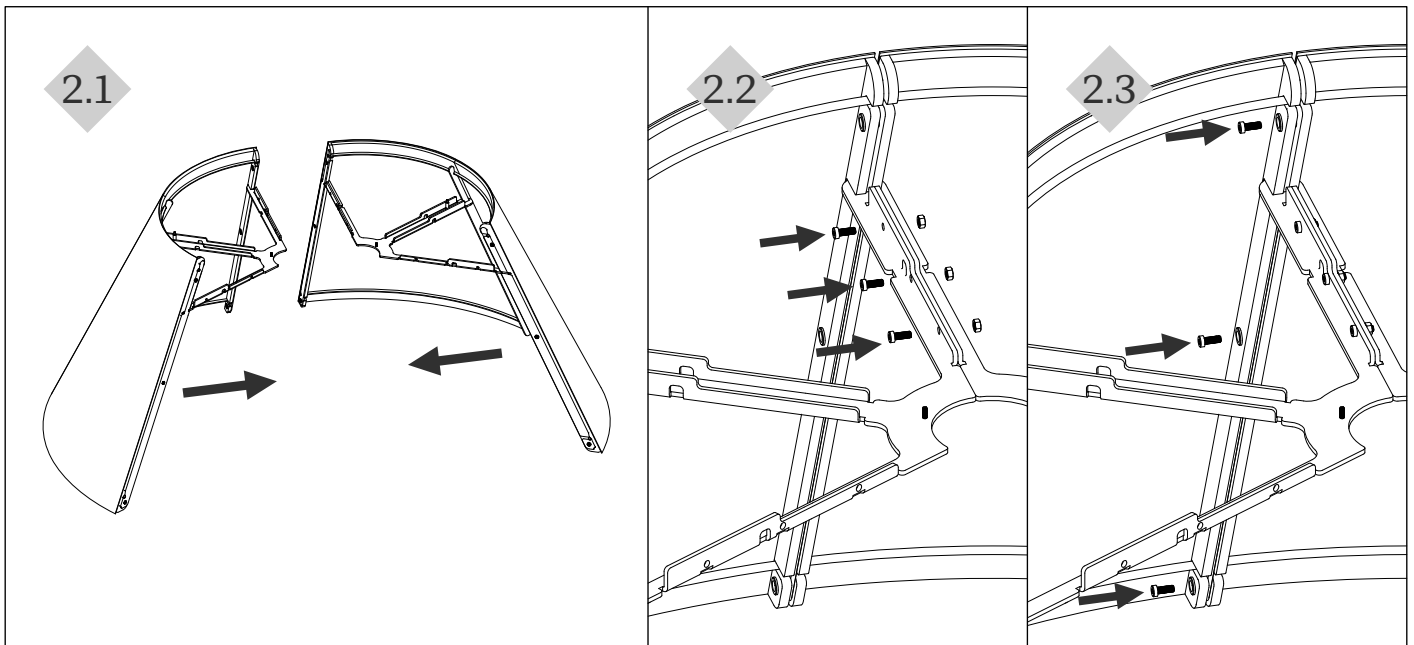
STORAGE AND HANDLING



- 1.1 Product measuring 47" (1200 MM) and under will arrive as a single, built unit. Product larger than 47" (1200 MM) will arrive in three sections and must be assembled on-site. Please proceed to Step 2 if product is larger than 47" (1200 MM), otherwise, bypass.
- 1.2 Store products in their original packed position. Use the cardboard feet provided to securely support the fixture. These inserts should remain in place until installation. Handle the product carefully, holding it from the top and the metal body on the inside.
- 1.3 Keep products in a dry, climate-controlled indoor space and elevate products off the floor. Do not stack heavy objects on top of stored products. Open packaging in a dust-free area, using caution with sharp tools to avoid damaging the contents. Wear clean, white gloves when handling components.
- 1.4 Avoid direct contact with light engines to prevent damage.

STEP 2

FIXTURE ASSEMBLY



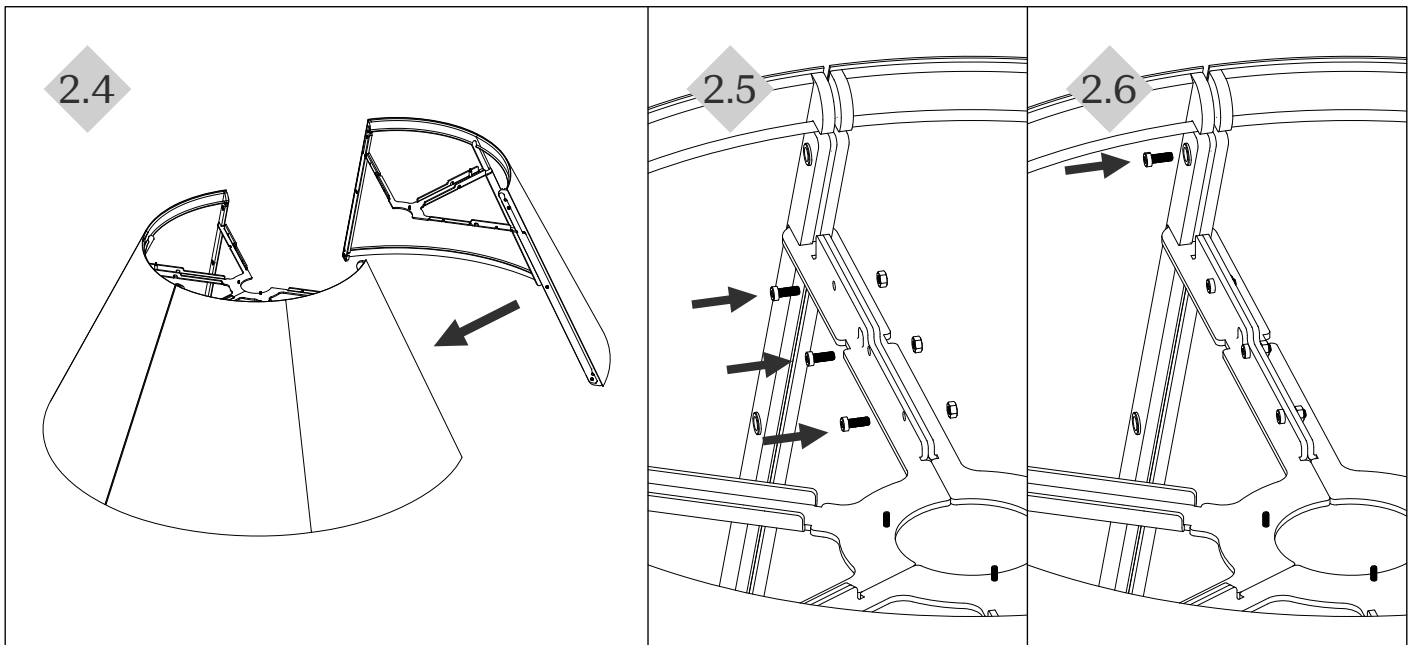
2.1 Align the first two parts of the fixture as shown in the diagram.

2.2 Insert three screws and nuts into the top of the metal frame.

2.3 Insert three screws into the side of the metal frame.

STEP 2

FIXTURE ASSEMBLY (CONT.)



2.4 Align the third part of the fixture as shown.

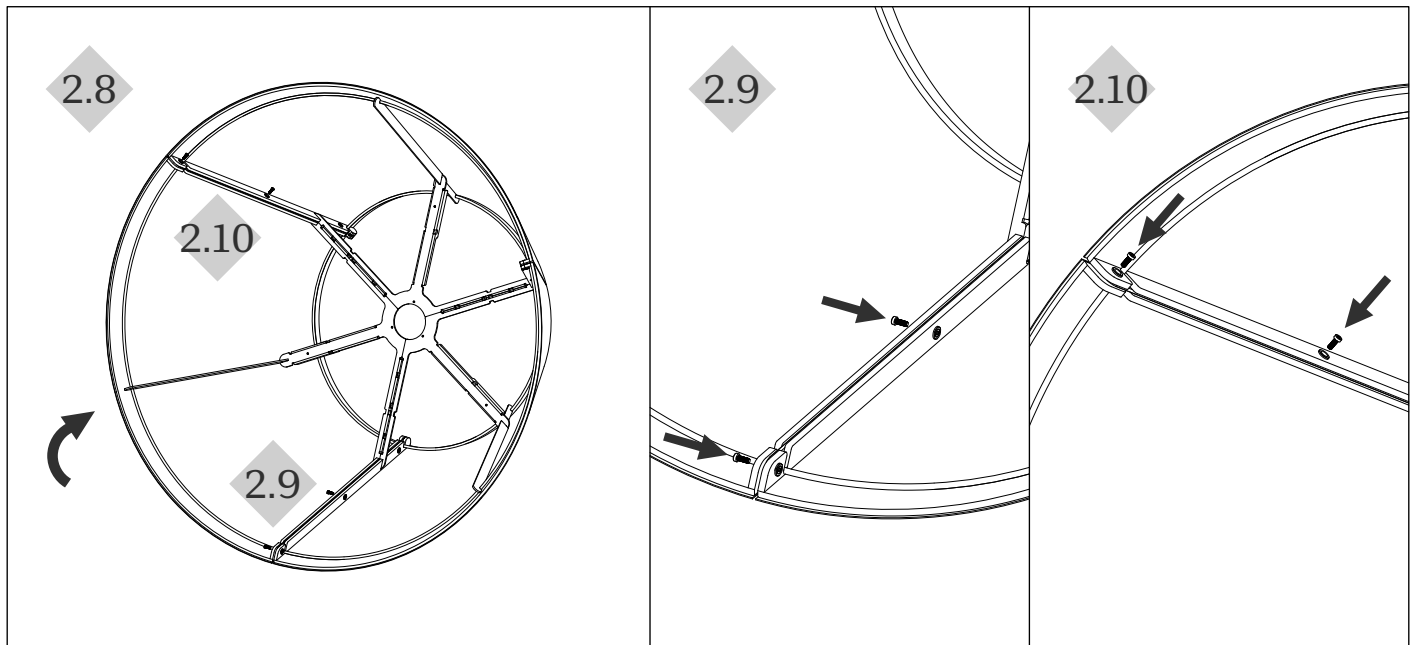
2.5 Insert three screws and nuts into the top of the metal frame, as done in Step 2.2.

2.6 Insert one screw into the top side of the metal frame.

2.7 Repeat Step 2.5 and 2.6 on the opposite side to complete the connection.

STEP 2

FIXTURE ASSEMBLY (CONT.)



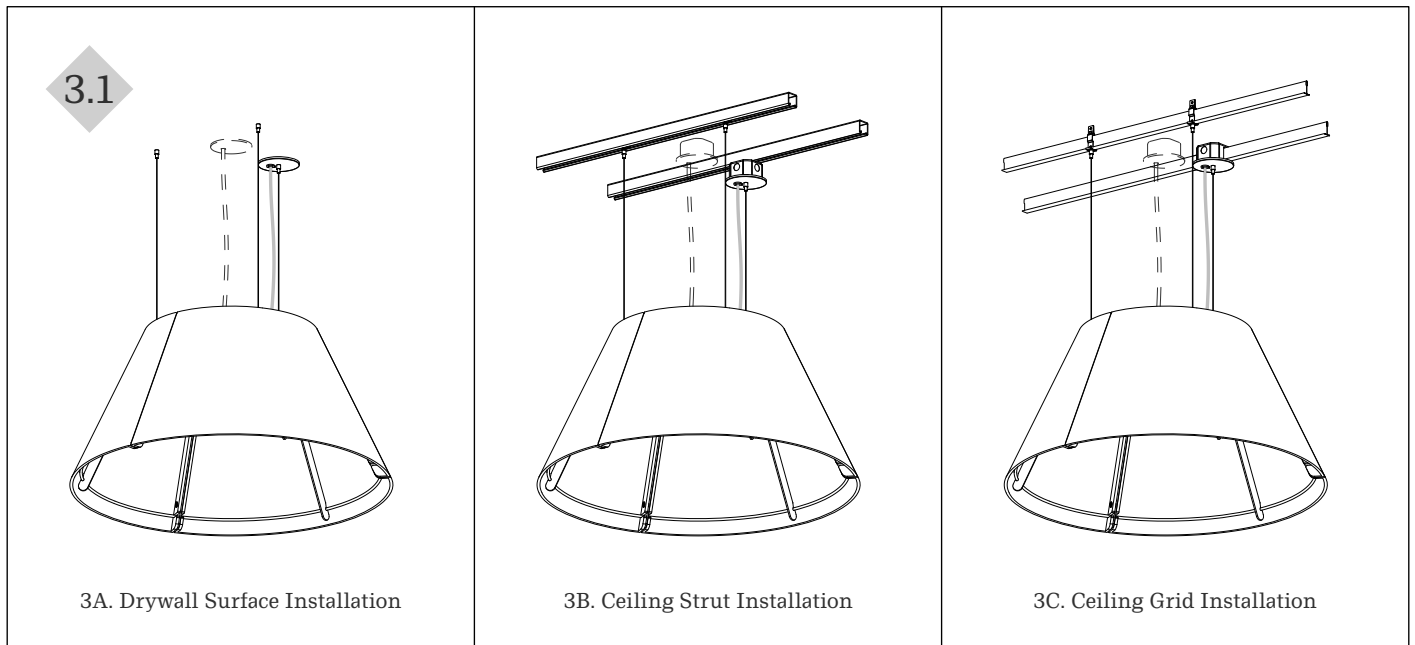
2.8 Carefully rotate the fixture to one side as illustrated.

2.9 Insert two screws into the side of the metal frame.

2.10 Repeat Step 2.9 on the opposite side. Rotate the fixture back to its original position.

STEP 3

SURFACE TYPES

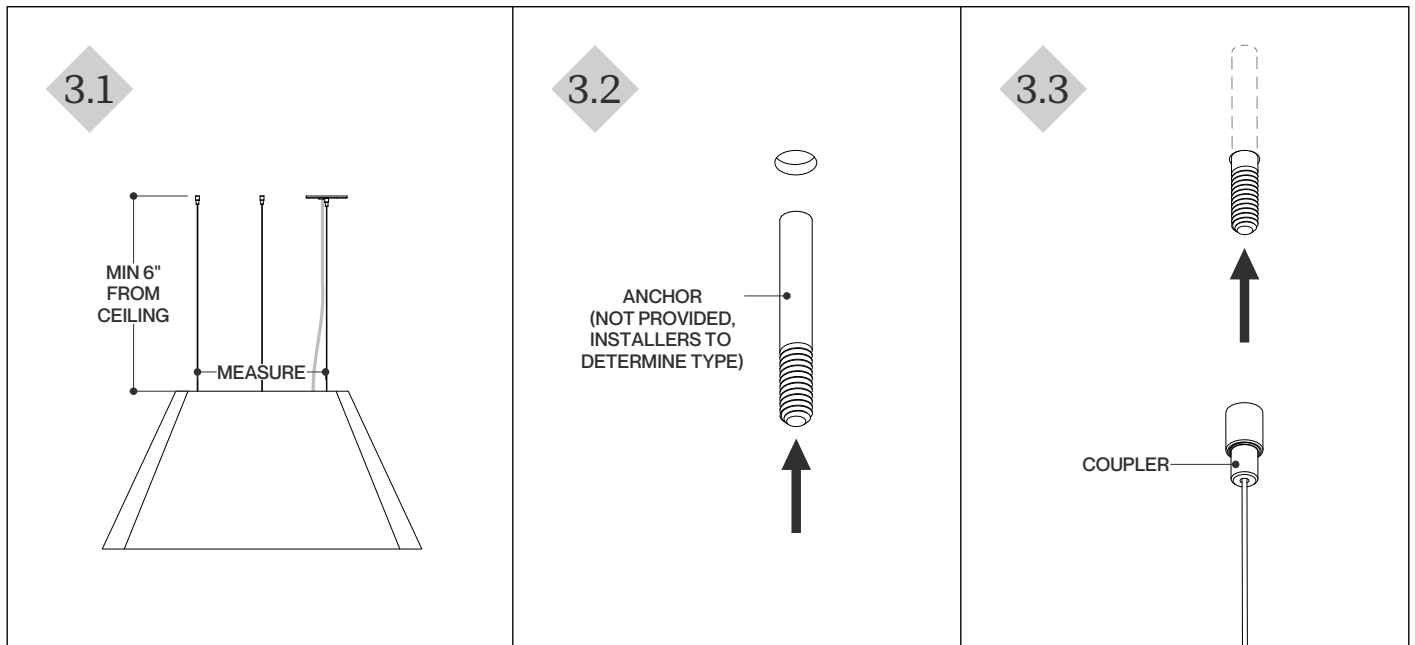


3.1

To properly install the fixture reference 3A, 3B or 3C to complete the installation depending on the surface type.

STEP 3A

SURFACE TYPES: Drywall / Hard Surface



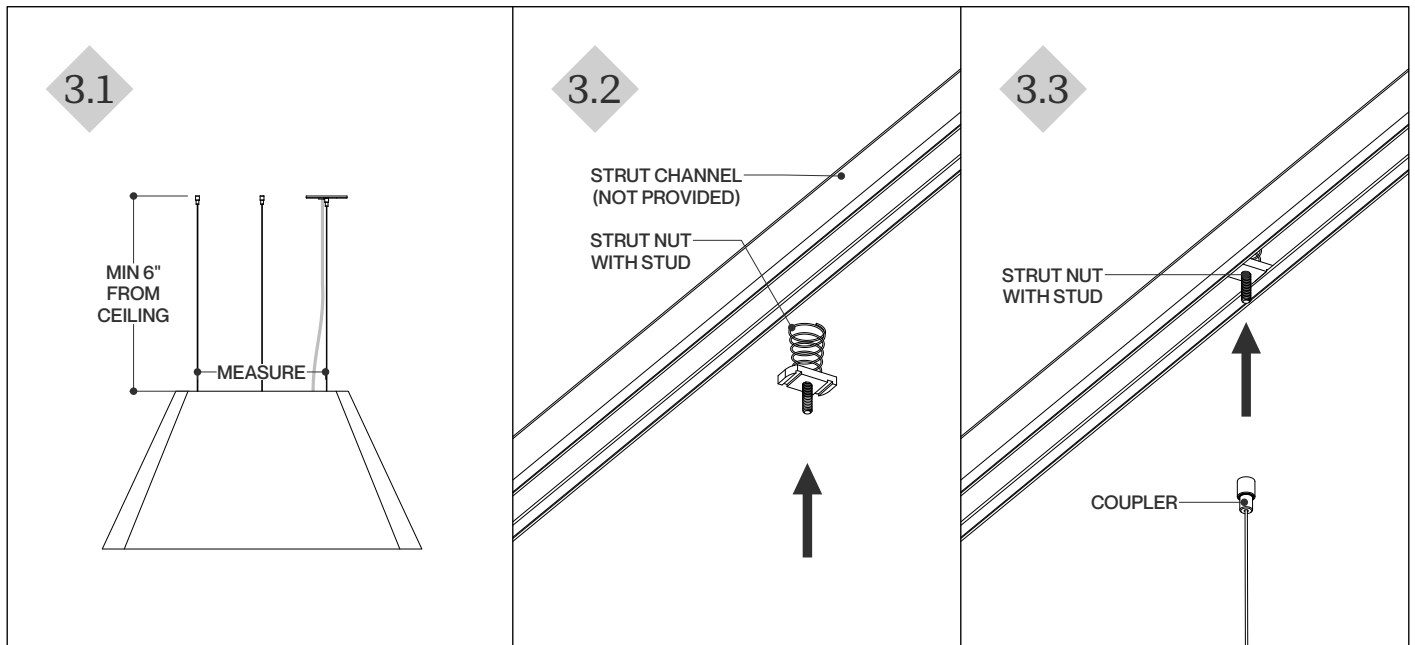
3A.1 Measure the distance between the grippers, then mark this measurement to the surface.

3A.2 Install the anchors (1/4"-20 anchor, not provided) onto the marks of the surface.

3A.3 Secure the coupler (with or without canopy) to the anchor followed by tightening.

STEP 3B

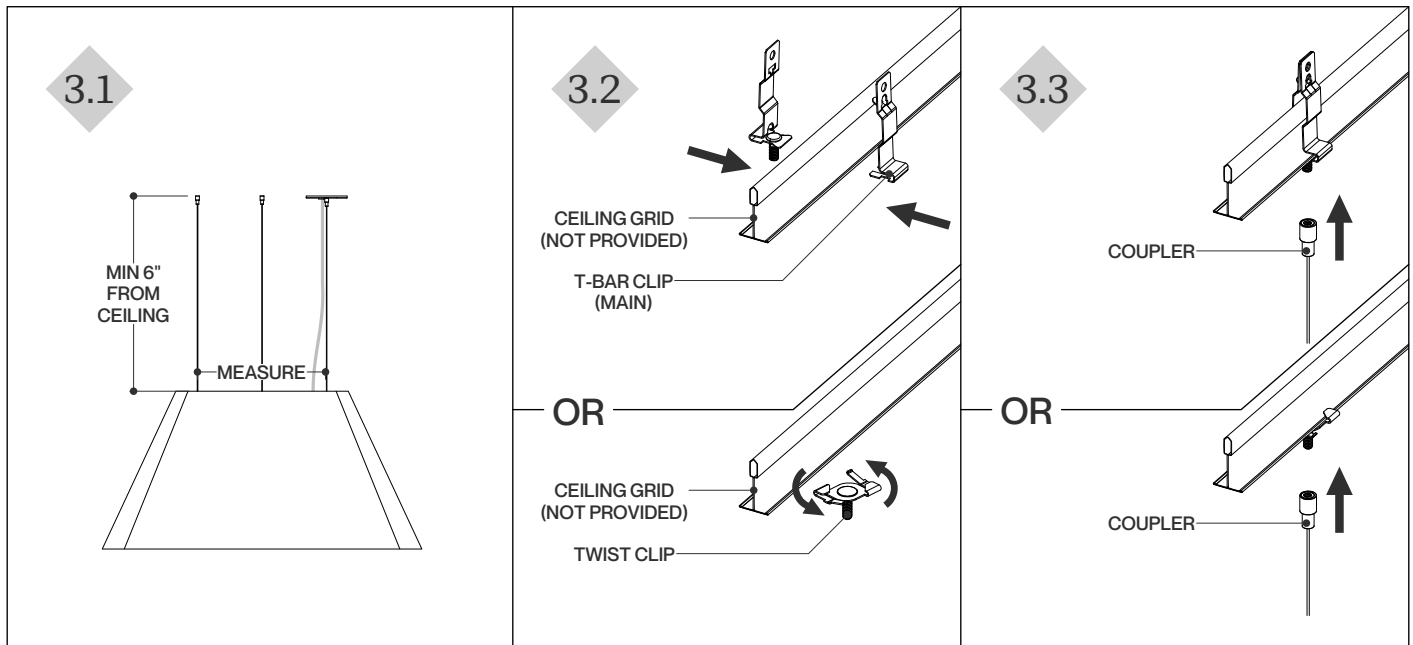
SURFACE TYPES: Ceiling Strut



- 3B.1** Measure the distance between the grippers, then mark this measurement to the strut channel (not provided).
- 3B.2** Twist and release each strut nut with stud into the channel (not provided).
- 3B.3** Secure the coupler (with or without canopy) to the strut nut with stud followed by tightening.

STEP 3C

SURFACE TYPES: Ceiling Grid



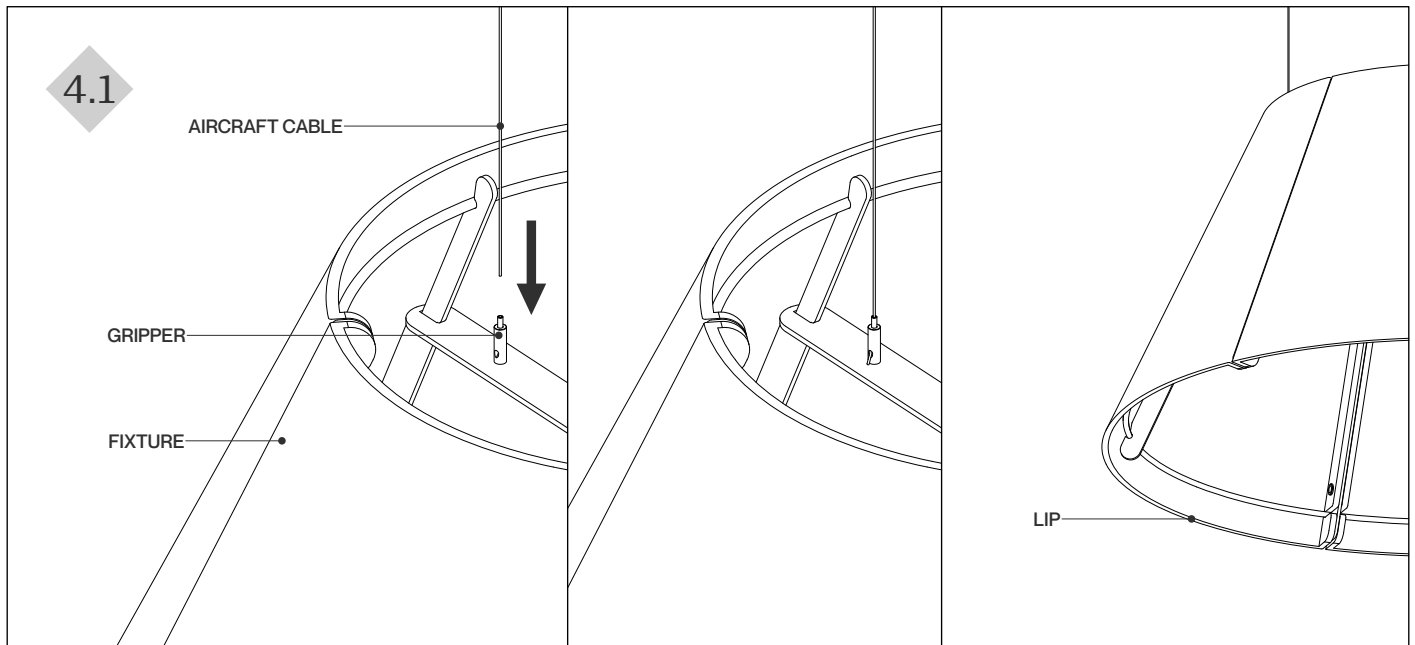
3C.1 Measure the distance between the grippers, then mark this measurement on the ceiling grid (not provided). If necessary, slide the clip over if something is obstructing the marked point.

3C.2 Slide the main part of the T-bar clip onto the ceiling grid (not provided). Then insert the other part of clip onto the grid, snap in to secure both sections into place. Or align the twist clip with the ceiling grid and rotate the clip until it locks firmly onto the grid.

3C.3 Secure the coupler (with or without canopy) to the threaded rod followed by tightening.

STEP 4

AIRCRAFT CABLE



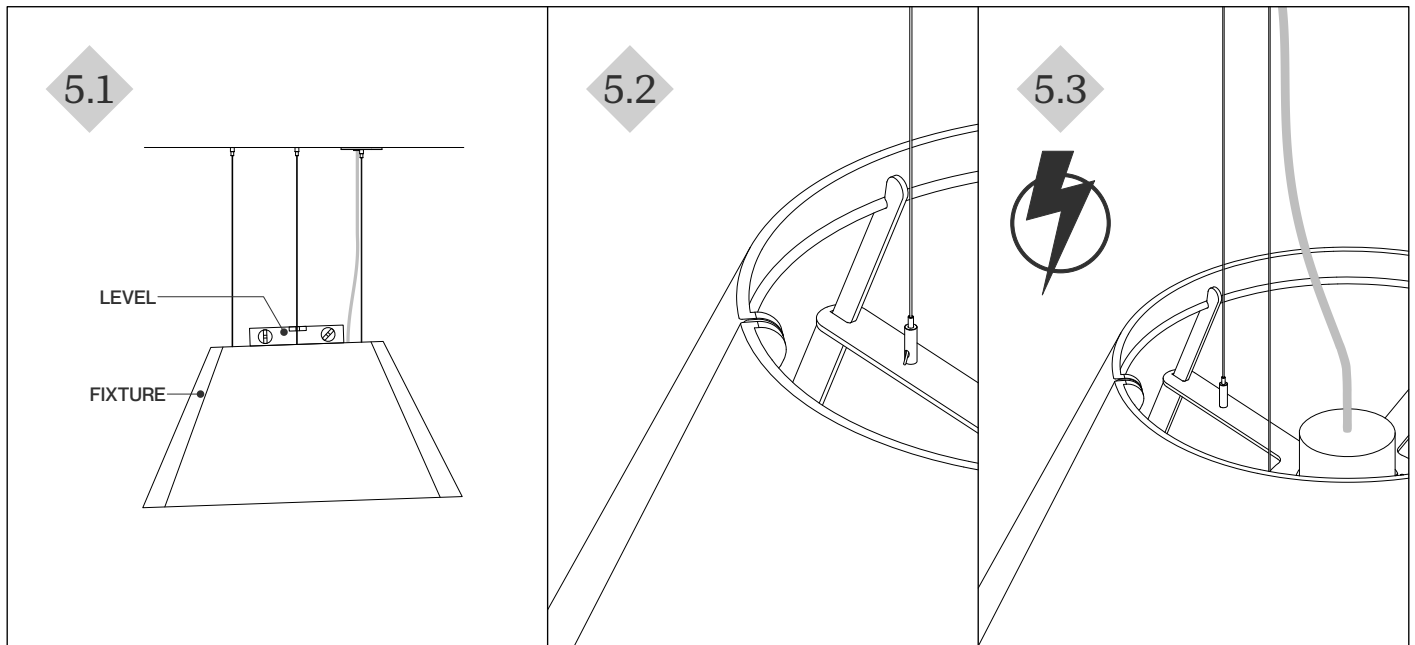
4.1

From the top of the fixture, insert each aircraft cable into the gripper until the desired height is achieved.

Note: Do not handle fixture by the lip.

STEP 5

FINAL STEPS



5.1

Level fixture.

5.2

If necessary cut the excess aircraft cable off.

5.3

Make fixture wiring connections in accordance with local and national electrical codes if needed.

SABIN