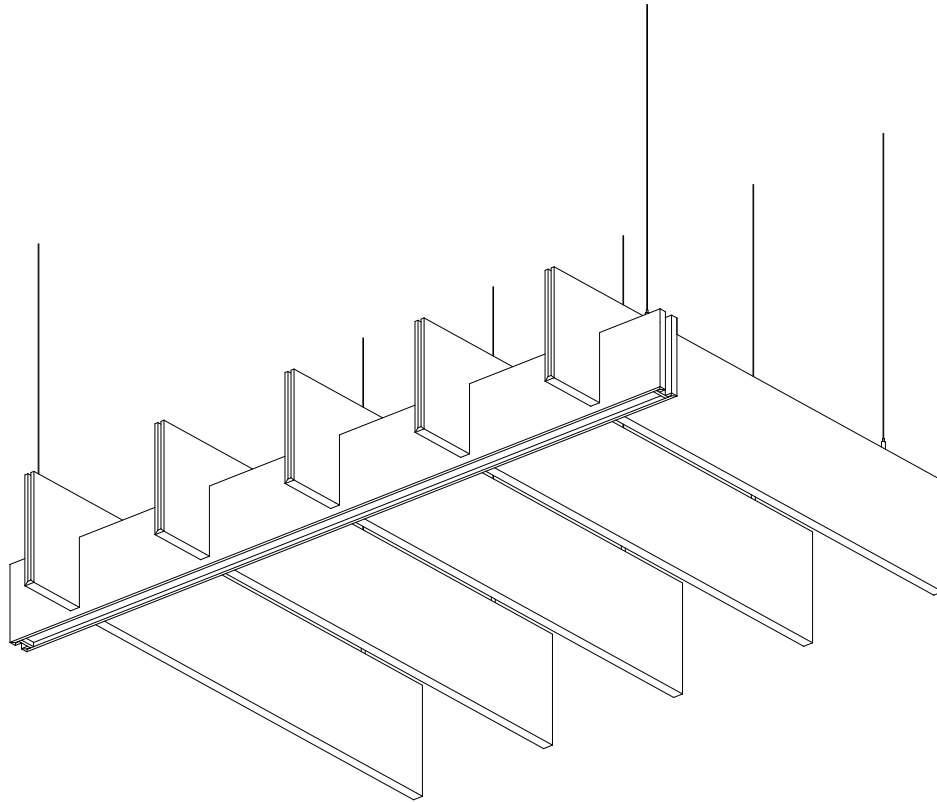


SABIN



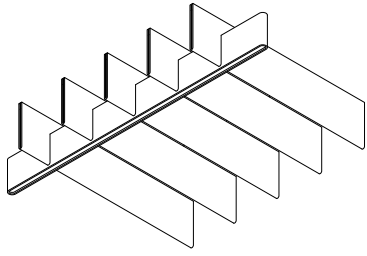
INSTALLATION GUIDE

LINEAR RAFT

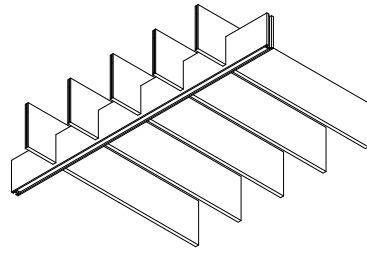
INSTALLING LINEAR RAFT

**THIS IS A GUIDE TO ASSIST WITH YOUR
SABIN PRODUCT INSTALLATION.**

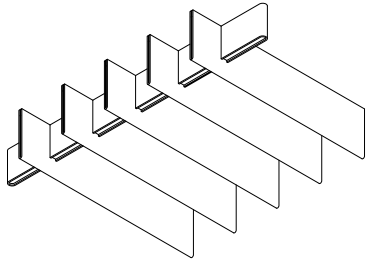
The following pages explain best practices for a successful installation. Please note these are not comprehensive to every installation environment. Please contact our factory for specific questions.



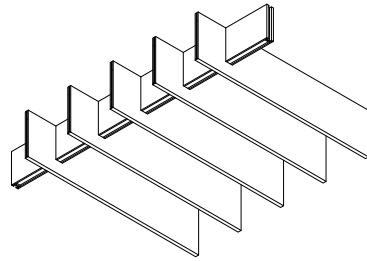
Direct Single
LAUTNA 27/STADIA 60



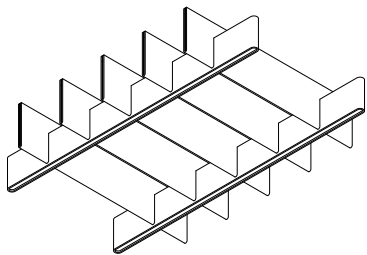
Direct Single
STANDARD 27/STANDARD 60



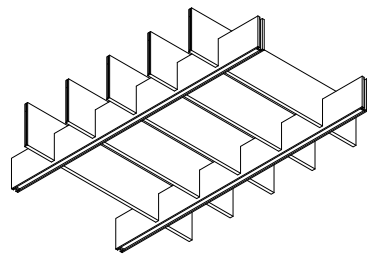
Indirect Single
LAUTNA 27/STADIA 60



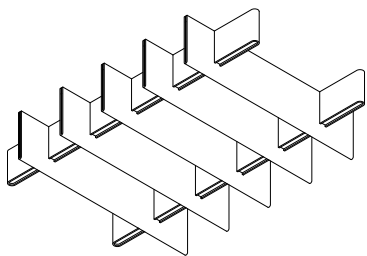
Indirect Single
STANDARD 27/STANDARD 60



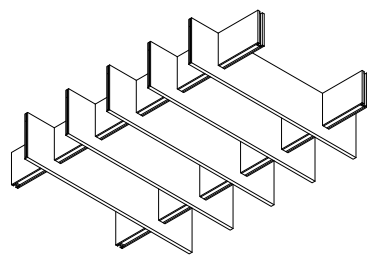
Direct Double
LAUTNA 27/STADIA 60



Direct Double
STANDARD 27/STANDARD 60



Indirect Double
LAUTNA 27/STADIA 60

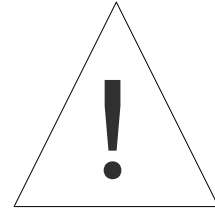


Indirect Double
STANDARD 27/STANDARD 60

STEPS

- 1 STORAGE AND HANDLING
- 2 SURFACE TYPES
 - 2A Drywall / Hard Surface
 - 2B Ceiling Strut
 - 2C Ceiling Grid
- 3 AIRCRAFT CABLE
- 4 FINAL STEPS
- 5 DRIVER SERVICE

READ PRIOR TO STARTING YOUR INSTALLATION



This product is suitable for indoor dry location only.

Do not switch line voltage until all the wiring is complete.

These products may represent a potential shock or fire hazard if improperly installed.

Products should be installed in accordance with local and National Electric Code (NEC).

This product should only be installed by a licensed Electrician.

Allow air to flow freely around the fixture.

Do not install the Fixture closer than 6.0” to combustible material.

Do not use if there is any damage to the unit or to the wiring/insulation. Inspect periodically.

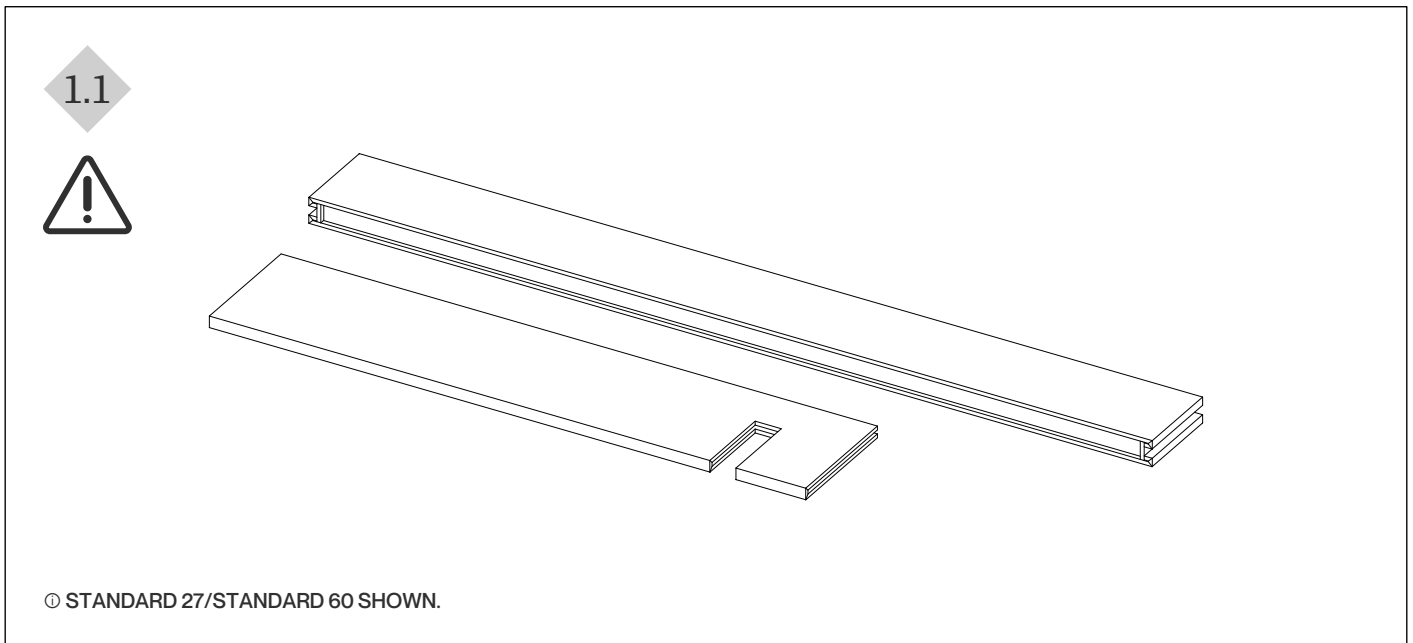
Confirm the proper gauge wires are used between Power Supplies, Controls & Fixture to avoid voltage drop.

Installer is responsible for reinforcing the walls and/or ceilings to properly support the fixture weight.

Sabin LLC, accepts no responsibility for inadequately reinforced walls and/or ceilings.

STEP 1

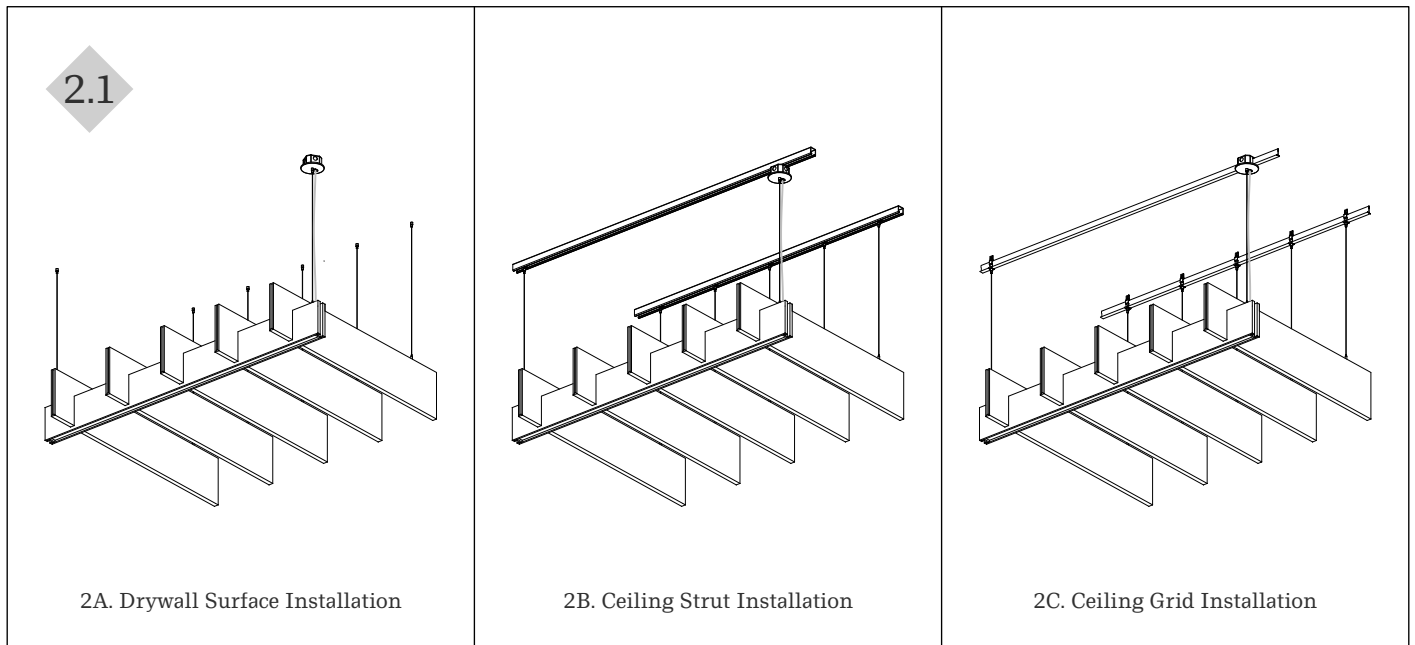
STORAGE AND HANDLING



- 1.1 Store products in their proper original packed to maintain stability and avoid deformation.
- 1.2 Keep products in a dry, climate-controlled indoor space and elevate products off the floor to prevent material degradation. Do not stack heavy objects on top of stored products.
- 1.3 Open packaging in a dust-free area, using caution with sharp tools to avoid damaging the contents. Wear clean, white gloves when handling components to prevent stains or surface damage.
- 1.4 Avoid direct contact with light engines to prevent damage.

STEP 2

SURFACE TYPES

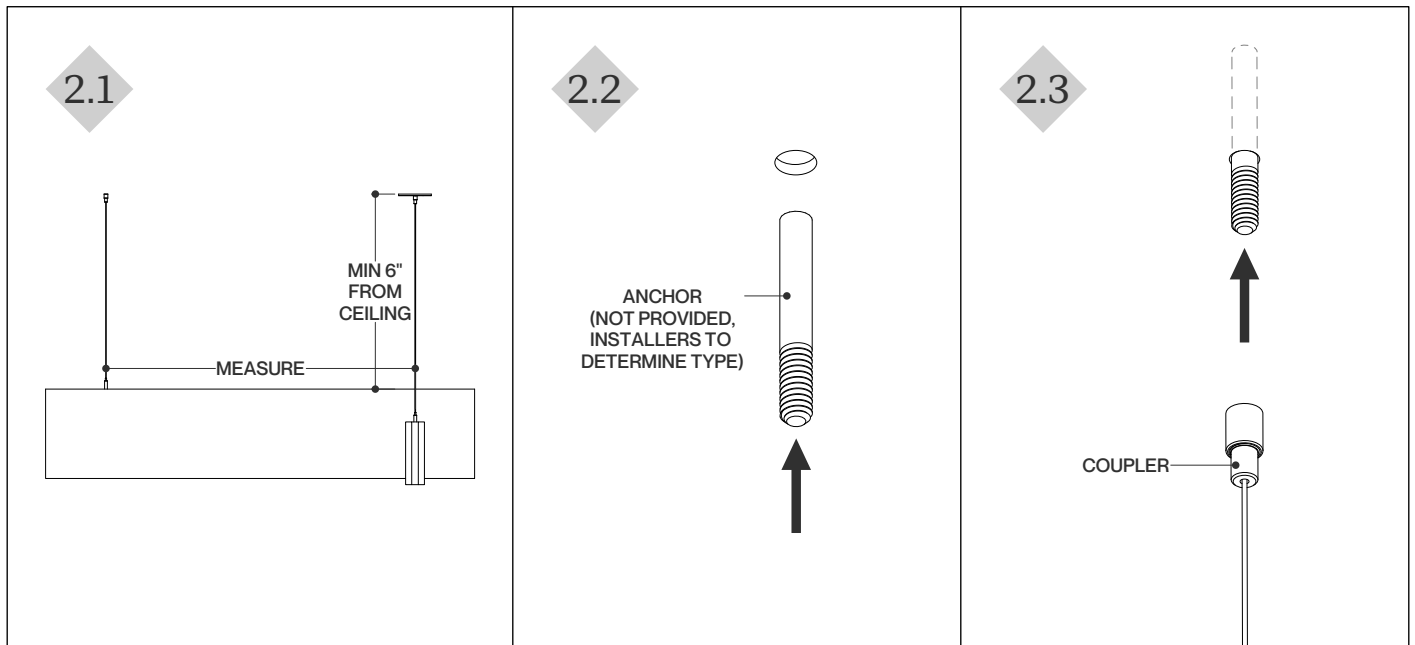


2.1

To properly install the fixture reference 2A, 2B or 2C to complete the installation depending on the surface type.

STEP 2A

SURFACE TYPES: Drywall / Hard Surface



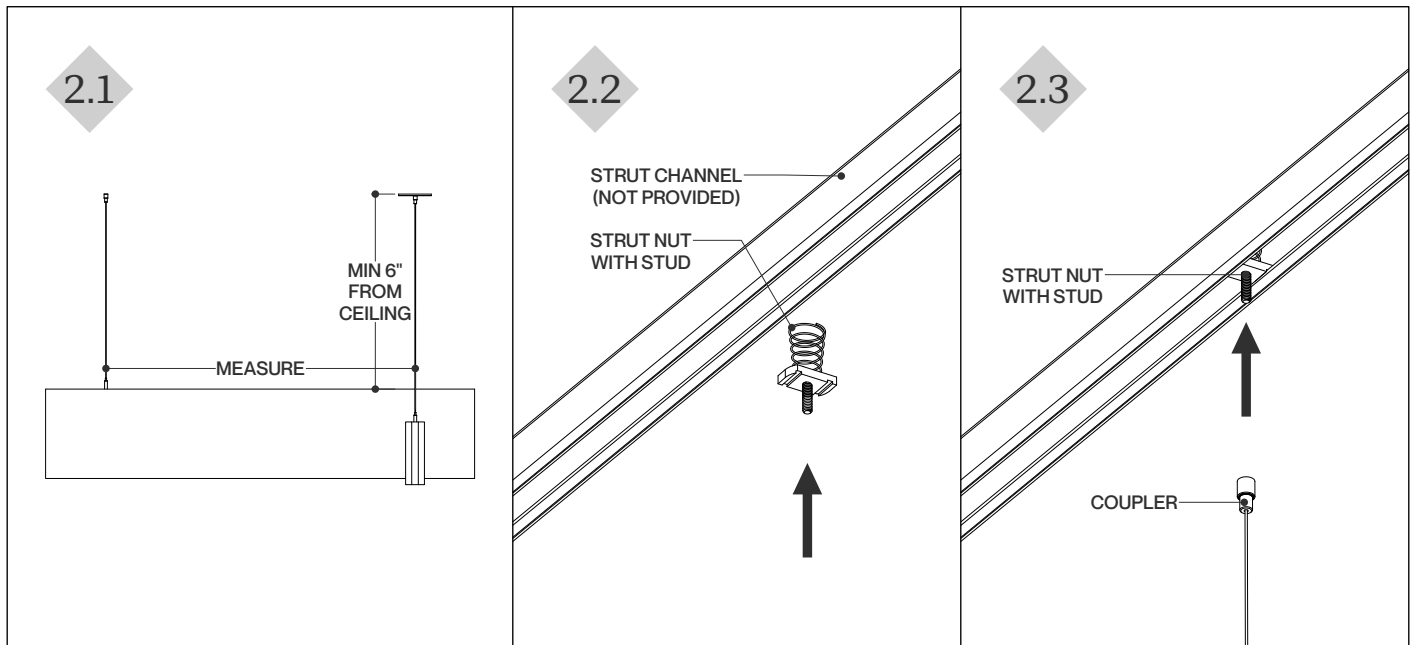
2A.1 Measure the distance between the grippers, then mark this measurement to the surface.

2A.2 Install the anchors (1/4"-20 anchor, not provided) onto the marks of the surface.

2A.3 Secure the coupler (with or without canopy) to the anchor followed by tightening.

STEP 2B

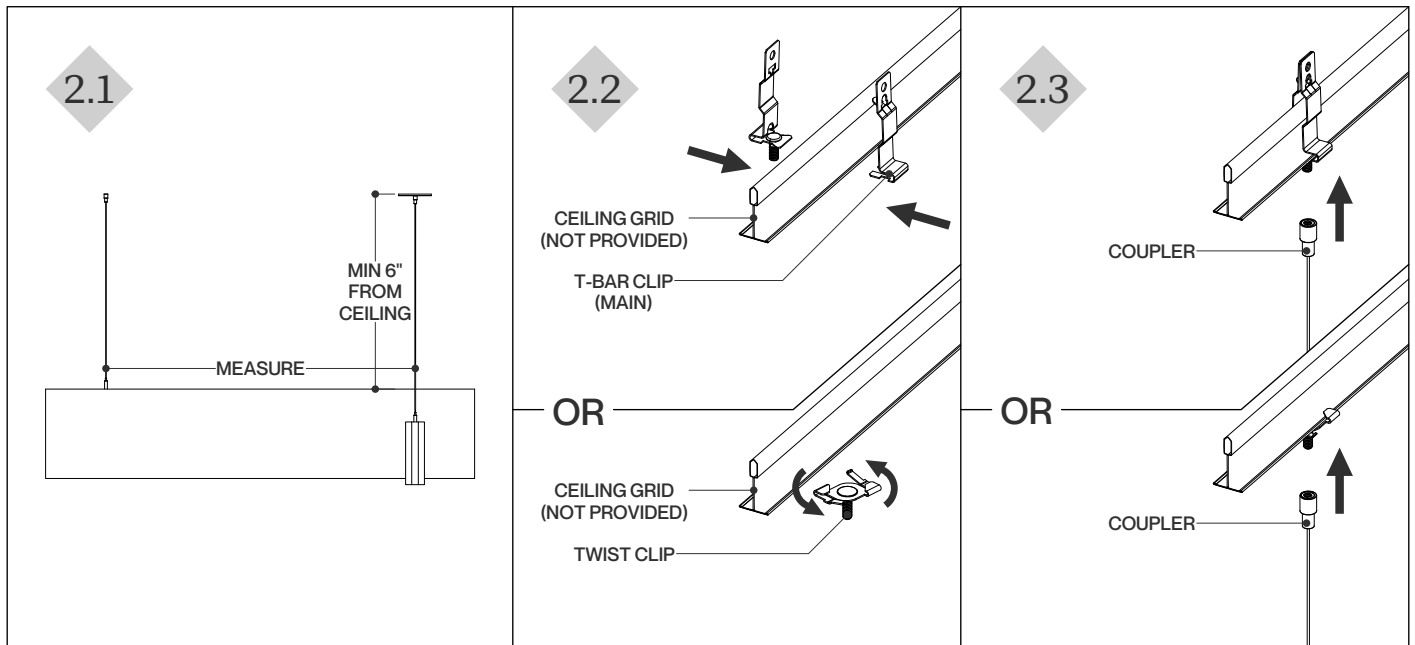
SURFACE TYPES: Ceiling Strut



- 2B.1** Measure the distance between the grippers, then mark this measurement to the strut channel (not provided).
- 2B.2** Twist and release each strut nut with stud into the channel (not provided).
- 2B.3** Secure the coupler (with or without canopy) to the strut nut with stud followed by tightening.

STEP 2C

SURFACE TYPES: Ceiling Grid



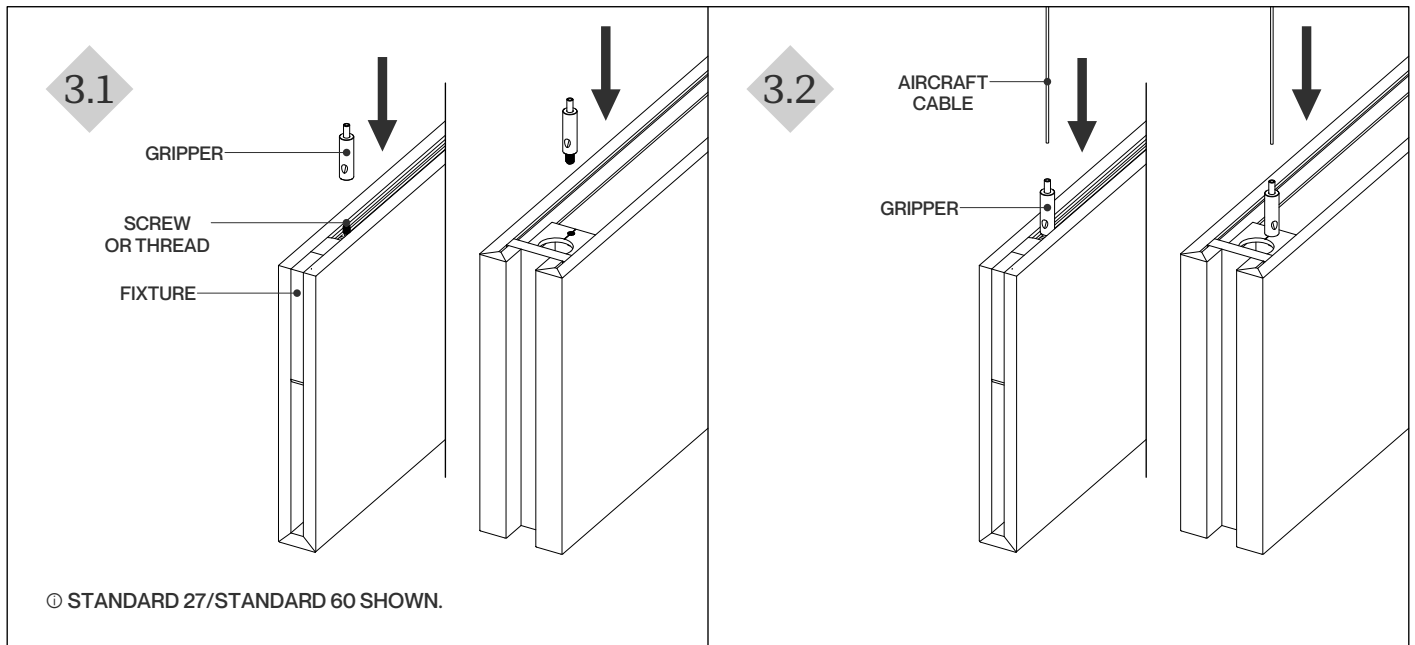
2C.1 Measure the distance between the grippers, then mark this measurement on the ceiling grid (not provided). If necessary, slide the clip over if something is obstructing the marked point.

2C.2 Slide the main part of the T-bar clip onto the ceiling grid (not provided). Then insert the other part of clip onto the grid, snap in to secure both sections into place. Or align the twist clip with the ceiling grid and rotate the clip until it locks firmly onto the grid.

2C.3 Secure the coupler (with or without canopy) to the threaded rod followed by tightening.

STEP 3

AIRCRAFT CABLE

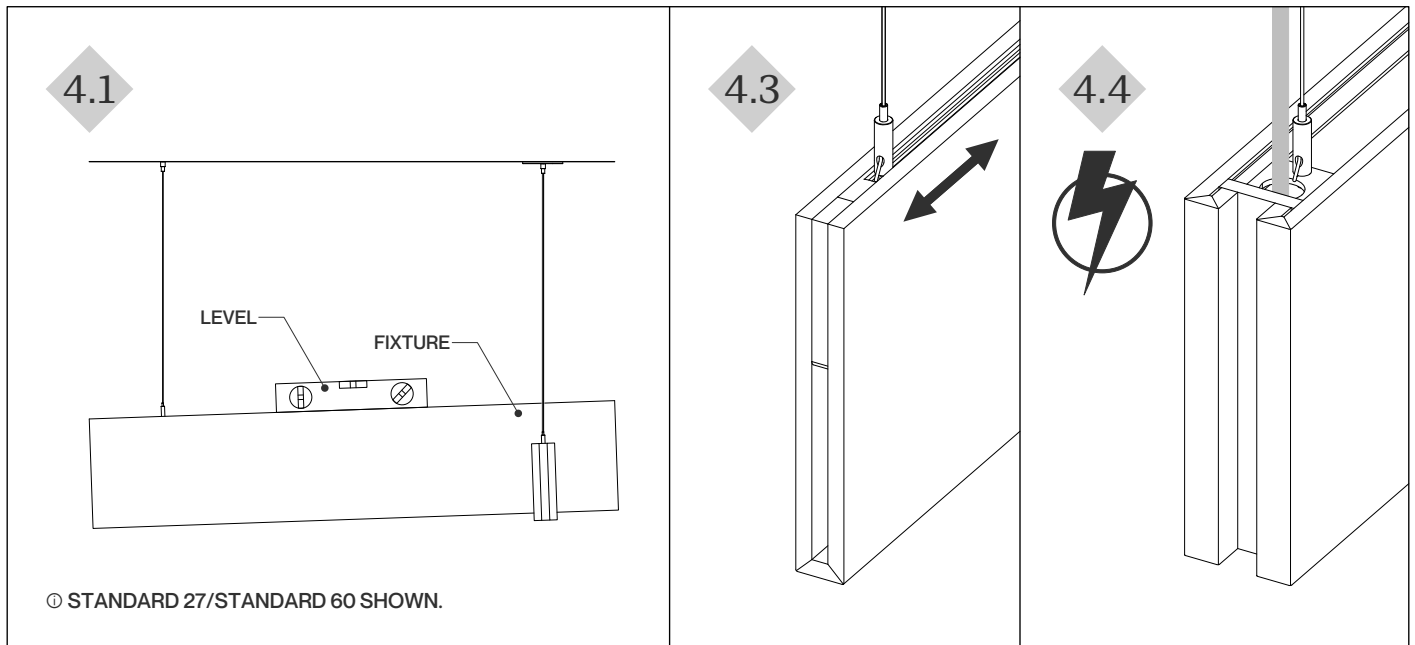


3.1 From the top of the fixture, insert each gripper into the pre-installed screw or thread and secure it in place.

3.2 Insert each aircraft cable into the gripper until the desired height is achieved.

STEP 4

FINAL STEPS



4.1

Level fixture.

4.2

If necessary cut the excess aircraft cable off.

4.3

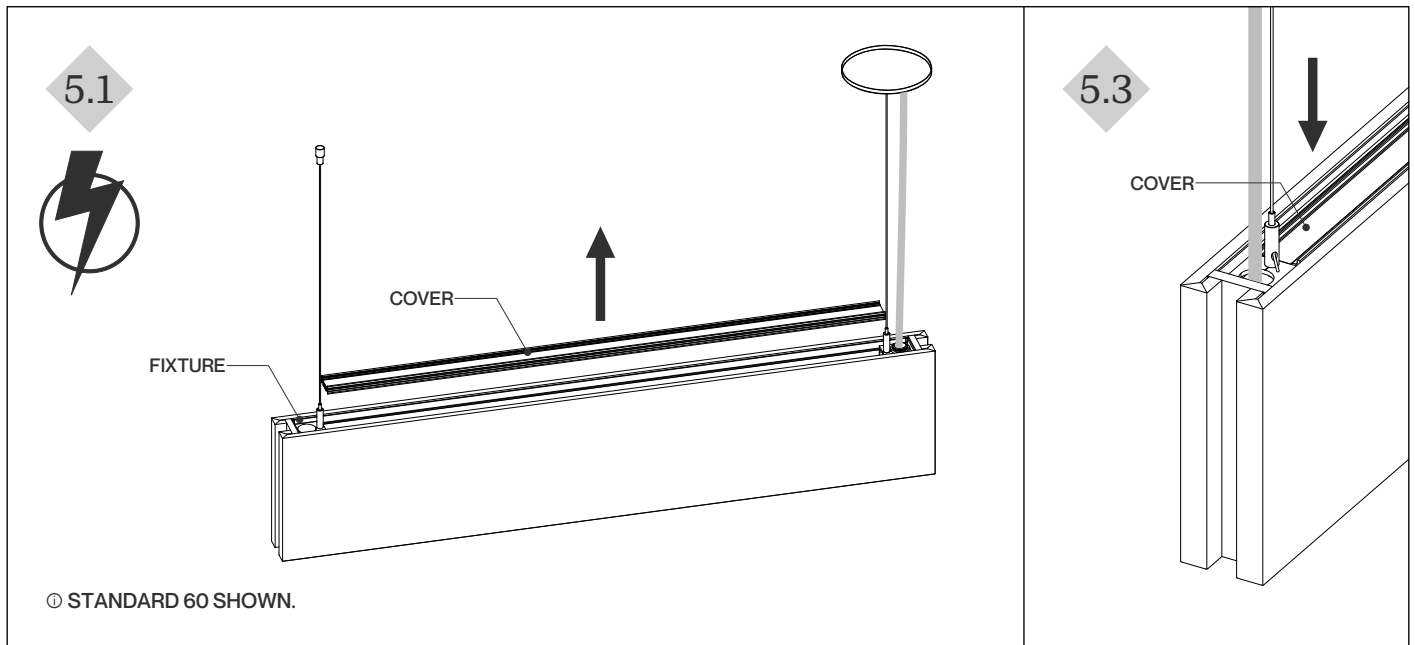
Some hang points can be adjusted by rotating the grippers counterclockwise, sliding along the rail to the new position, then retightening to secure.

4.4

Make fixture wiring connections in accordance with local and national electrical codes.

STEP 5

DRIVER SERVICE



- 5.1** Use a flathead screwdriver to remove the top cover, prying along the edge between the two aluminum faces.
- 5.2** Make the adjustments and/or replacement to the driver.
- 5.3** Align the cover to the top of fixture and secure by pressing along length to snap into place.

SABIN