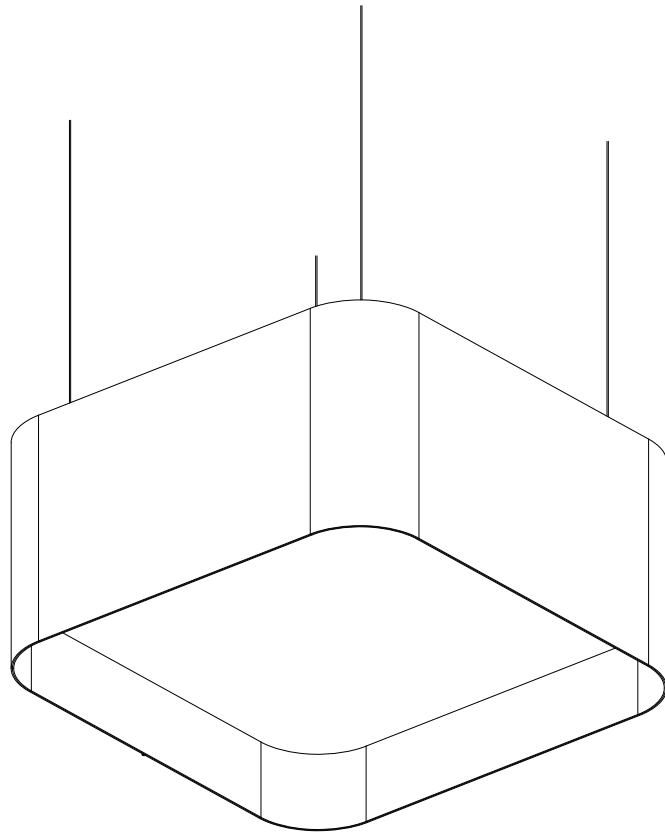


SABIN



INSTALLATION GUIDE

QUAD

INSTALLING QUAD

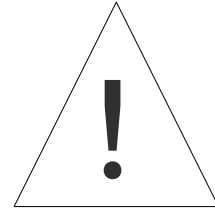
**THIS IS A GUIDE TO ASSIST WITH YOUR
SABIN PRODUCT INSTALLATION.**

The following pages explain best practices for a successful installation. Please note these are not comprehensive to every installation environment. Please contact our factory for specific questions.

STEPS

- 1 STORAGE AND HANDLING**
- 2 SURFACE TYPES**
 - 2A Drywall / Hard Surface
 - 2B Ceiling Strut
 - 2C Ceiling Grid
- 3 SUSPENSION TYPES**
 - 3A Aircraft Cable
 - 3B Strap Suspension
 - 3C Threaded Rod
- 4 FINAL STEPS**

READ PRIOR TO STARTING YOUR INSTALLATION



This product is suitable for indoor dry location only.

Do not switch line voltage until all the wiring is complete.

These products may represent a potential shock or fire hazard if improperly installed.

Products should be installed in accordance with local and National Electric Code (NEC).

This product should only be installed by a licensed Electrician.

Allow air to flow freely around the fixture.

Do not install the Fixture closer than 6.0” to combustible material.

Do not use if there is any damage to the unit or to the wiring/insulation. Inspect periodically.

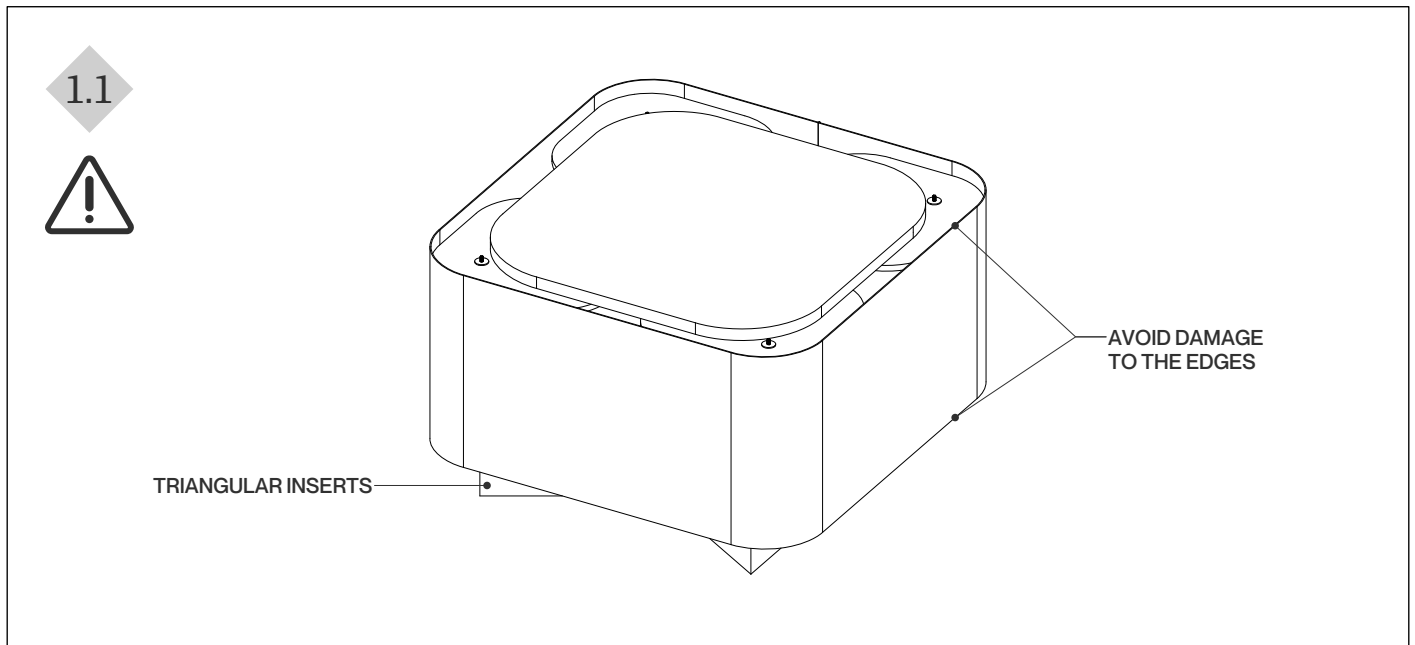
Confirm the proper gauge wires are used between Power Supplies, Controls & Fixture to avoid voltage drop.

Installer is responsible for reinforcing the walls and/or ceilings to properly support the fixture weight.

Sabin LLC, accepts no responsibility for inadequately reinforced walls and/or ceilings.

STEP 1

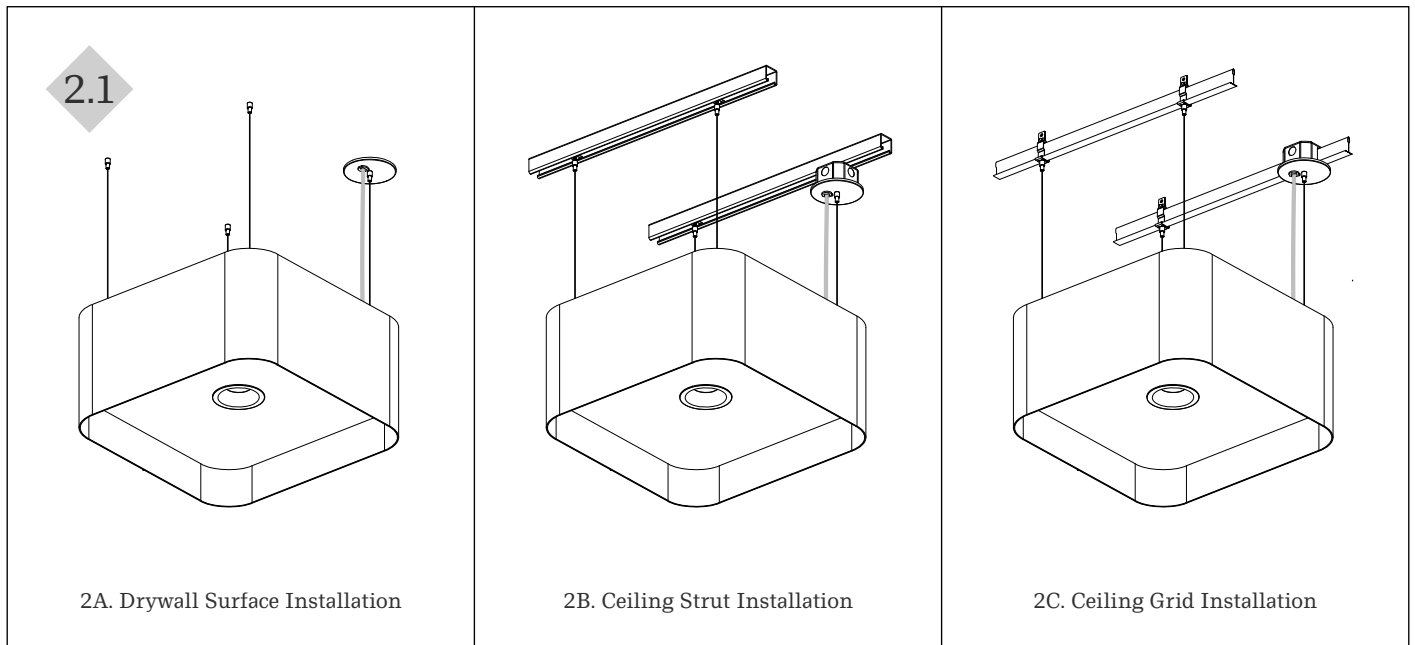
STORAGE AND HANDLING



- 1.1** Store products in their proper upright position. Handle the edges with care. Use the small triangular cardboard inserts provided to securely support the fixture. These inserts are included in every box with each fixture.
- 1.2** Keep products in a dry, climate-controlled indoor space and elevate products off the floor to prevent material degradation. Do not stack heavy objects on top of stored products.
- 1.3** Open packaging in a dust-free area, using caution with sharp tools to avoid damaging the contents. Wear clean, white gloves when handling components to prevent stains or surface damage.
- 1.4** Avoid direct contact with light engines to prevent damage.

STEP 2

SURFACE TYPES

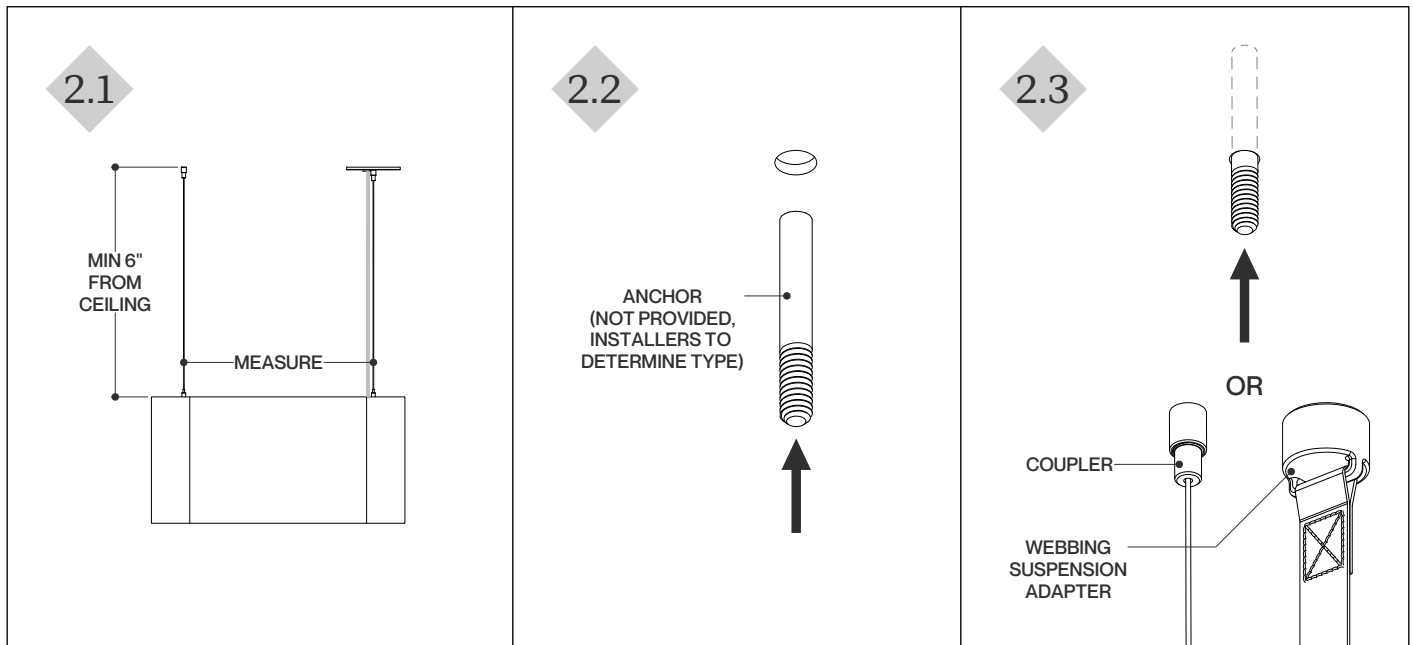


2.1

To properly install the fixture reference 2A, 2B or 2C to complete the installation depending on the surface type.

STEP 2A

SURFACE TYPES: Drywall / Hard Surface



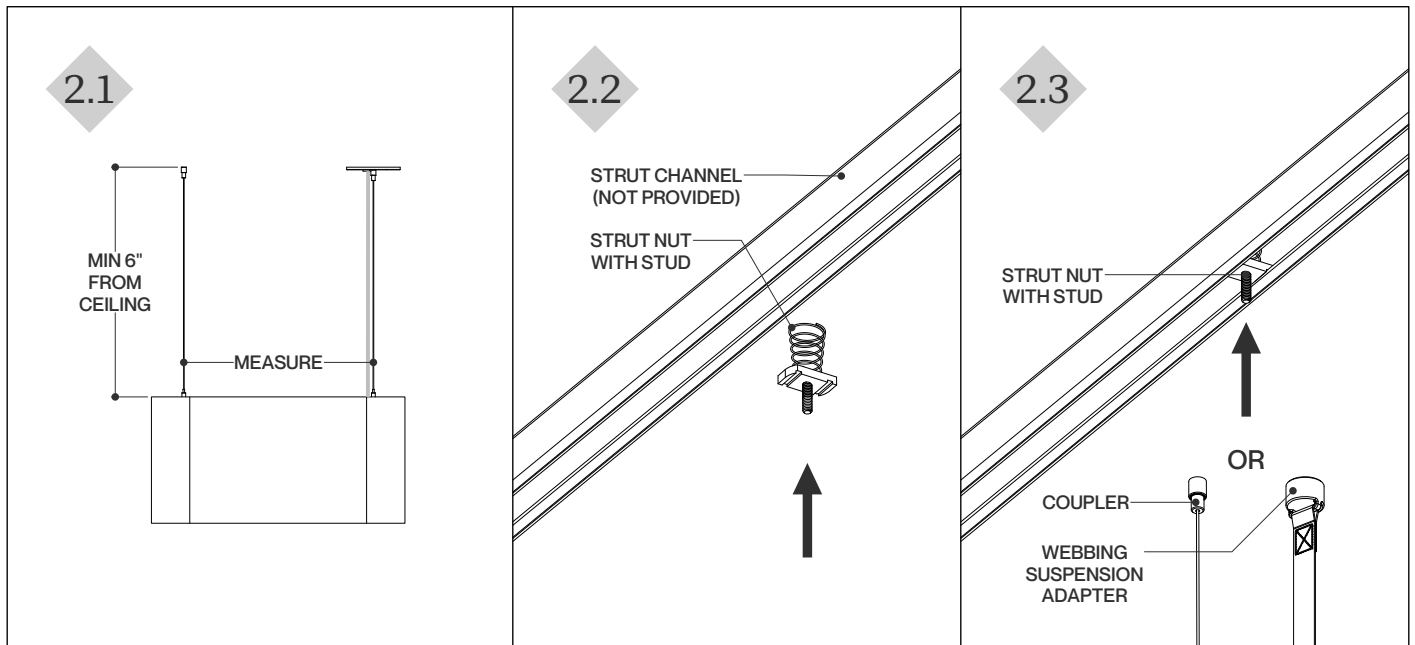
2A.1 Measure the distance between the grippers, then mark this measurement to the surface.

2A.2 Install the anchors (1/4"-20 anchor, not provided) onto the marks of the surface.

2A.3 Secure the coupler or the webbing suspension adapter (with or without canopy) to the anchor followed by tightening.

STEP 2B

SURFACE TYPES: Ceiling Strut



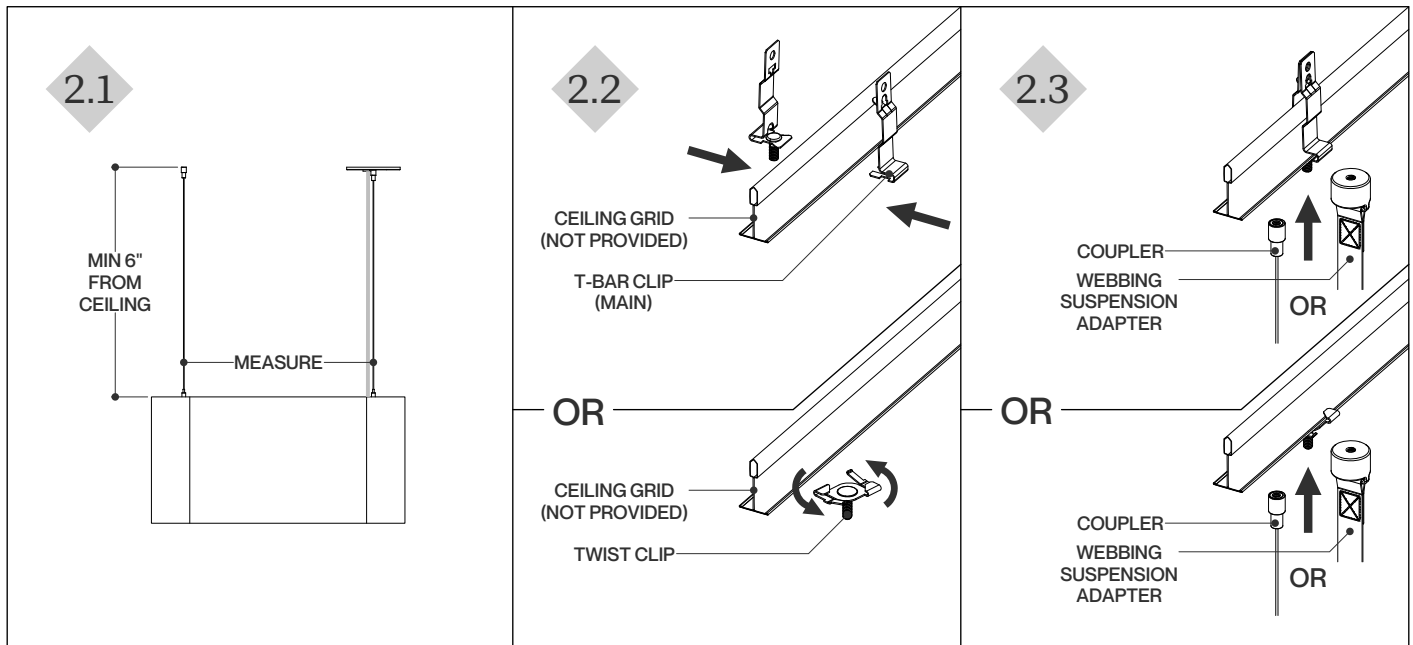
2B.1 Measure the distance between the grippers, then mark this measurement to the strut channel (not provided).

2B.2 Twist and release each strut nut with stud into the channel (not provided).

2B.3 Secure the coupler or the webbing suspension adapter (with or without canopy) to the strut nut with stud followed by tightening.

STEP 2C

SURFACE TYPES: Ceiling Grid



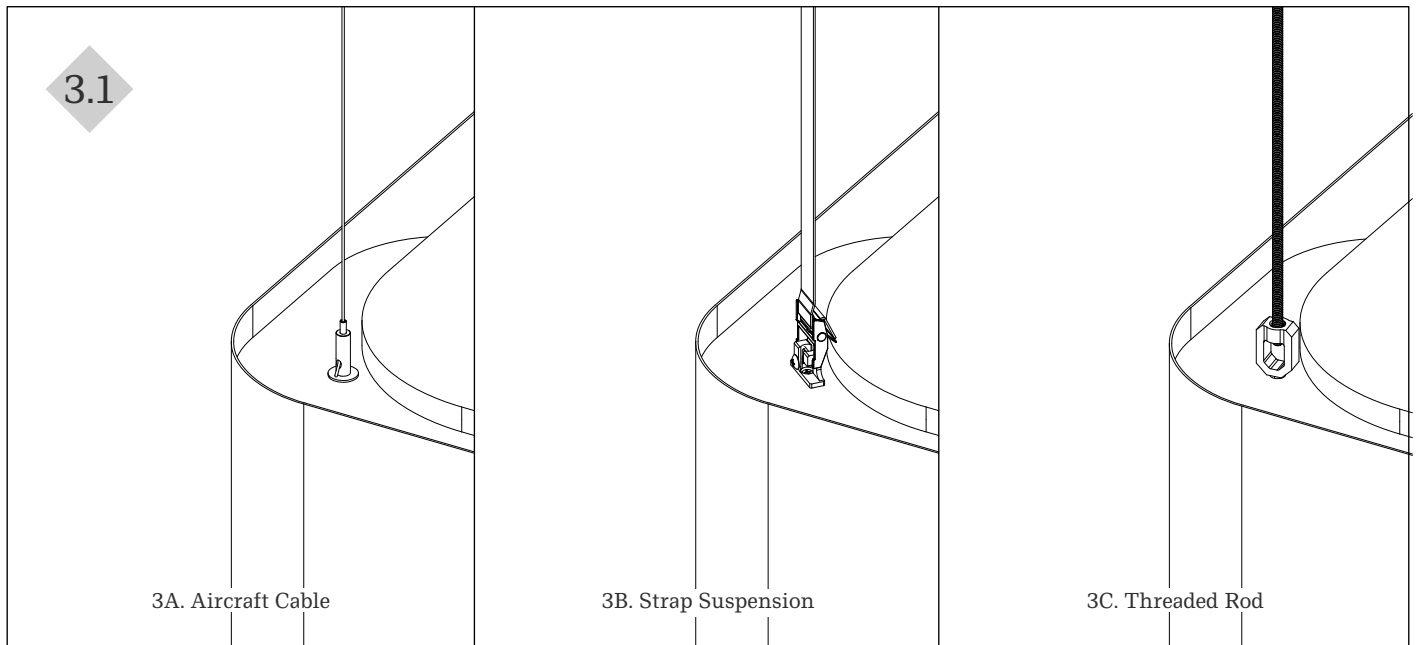
2C.1 Measure the distance between the grippers, then mark this measurement on the ceiling grid (not provided). If necessary, slide the clip over if something is obstructing the marked point.

2C.2 Slide the main part of the T-bar clip onto the ceiling grid (not provided). Then insert the other part of clip onto the grid, snap in to secure both sections into place. Or align the twist clip with the ceiling grid and rotate the clip until it locks firmly onto the grid.

2C.3 Secure the coupler or the webbing suspension adapter (with or without canopy) to the threaded rod followed by tightening.

STEP 3

SUSPENSION TYPES

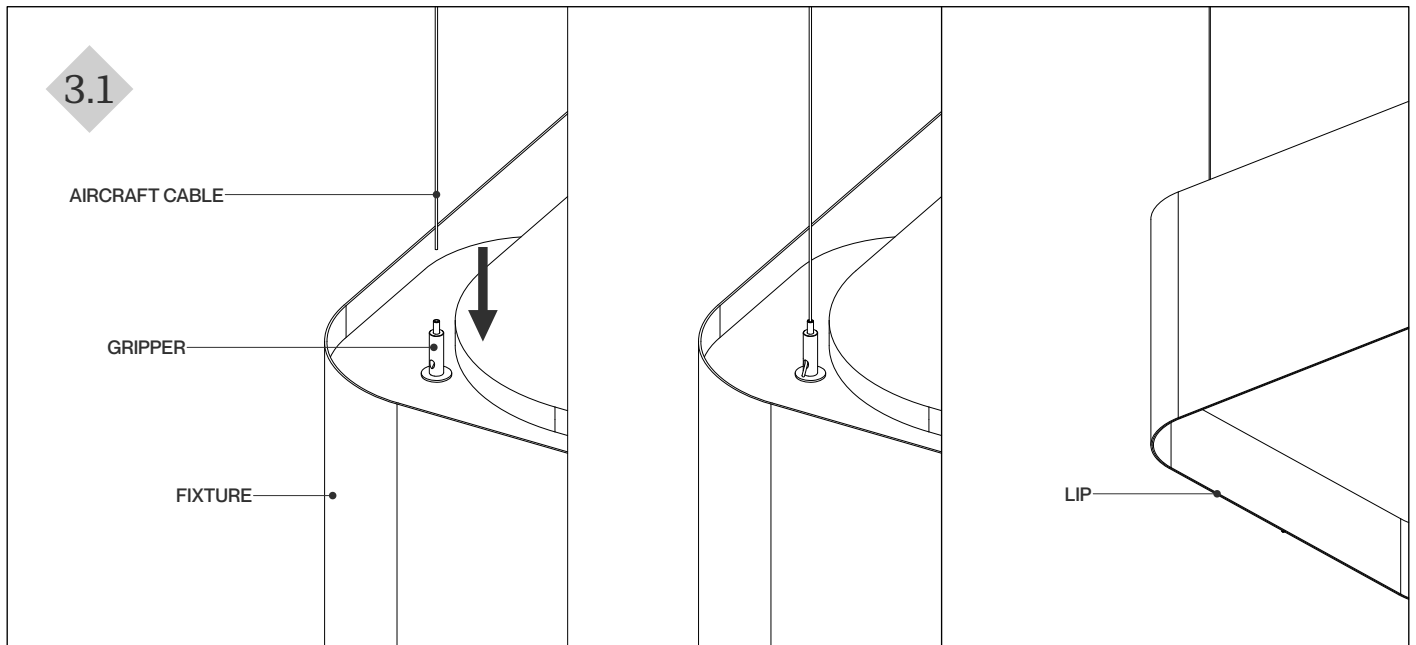


3.1

To properly install the fixture reference 3A, 3B or 3C to complete the installation depending on the suspension type.

STEP 3A

SUSPENSION TYPES: Aircraft Cable

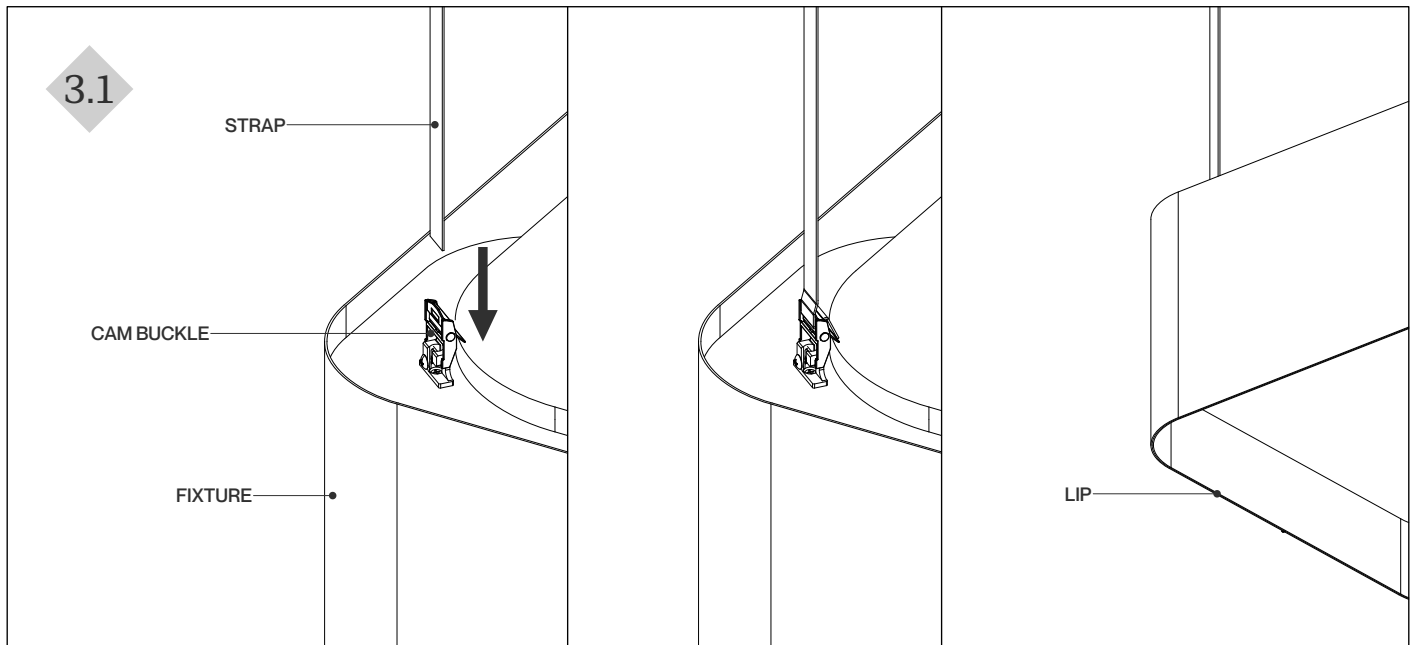


3A.1 From the top of the fixture, insert each aircraft cable into the gripper until the desired height is achieved.

Note: Do not handle fixture by the lip.

STEP 3B

SUSPENSION TYPES: Strap Suspension



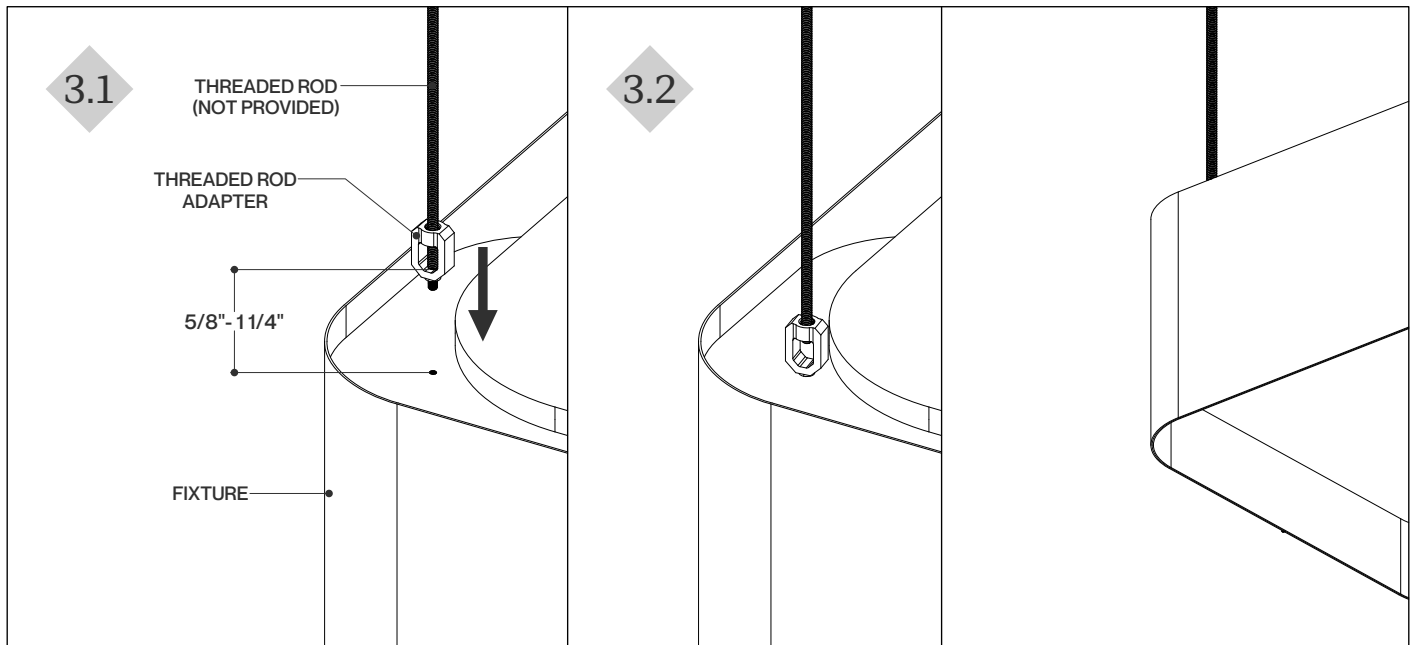
3B.1

From the top of the fixture, insert each strap into the cam buckle until the desired height is achieved.

Note: Do not handle fixture by the lip.

STEP 3C

SUSPENSION TYPES: Threaded Rod



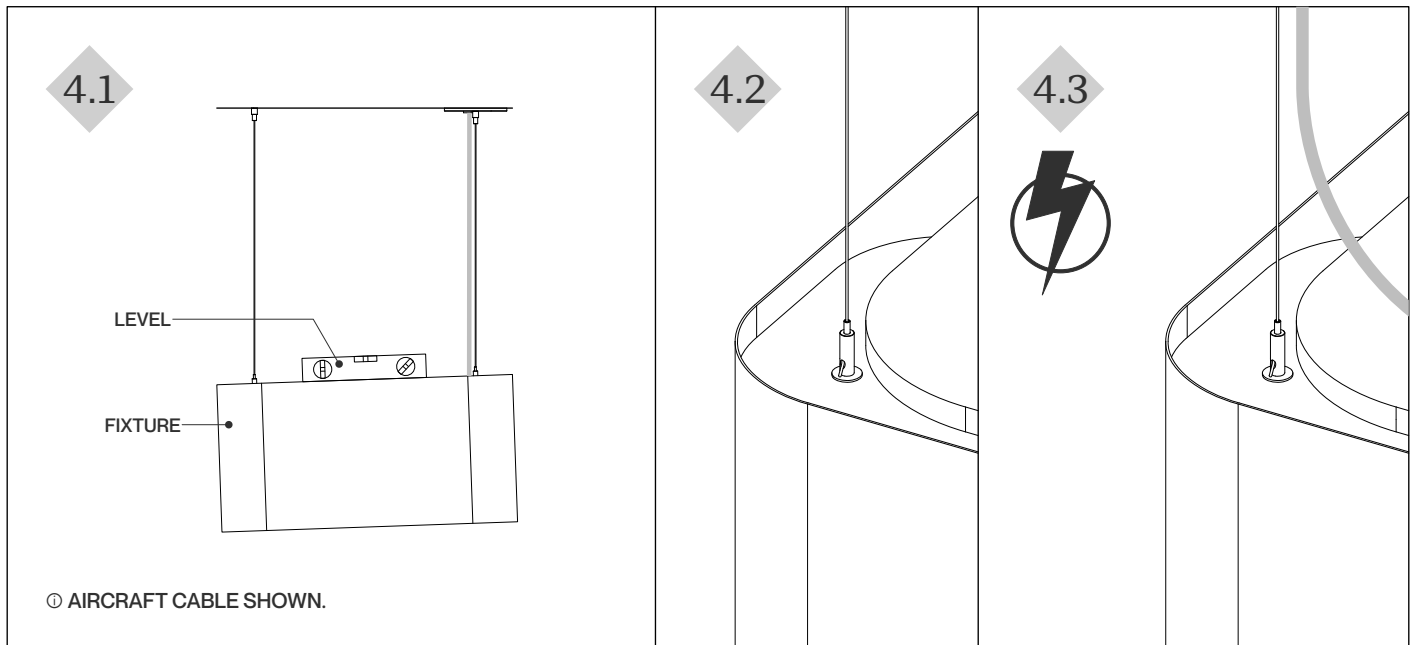
3C.1 Install 3/8" threaded rod (not provided) to above structure. The bottom end of the threaded rod should be between 5/8" - 1 1/4" above the top of the fixture. Thread the threaded rod adapter on to the threaded rod to the maximum depth possible.

3C.2 Lift fixture until the 10-32 standoff and the threaded rod adapter meet. Proceed to unthread adapter from threaded rod (not provided). As you do, the adapter will engage with the 10-32 standoff. Continue until adapter is flush against the fixture.

Note: Do not handle fixture by the lip.

STEP 4

FINAL STEPS



4.1

Level fixture.

4.2

If necessary cut the excess aircraft cable off or trim the excess strap, leaving at least 25mm past cam.

4.3

Make fixture wiring connections in accordance with local and national electrical codes if needed.

SABIN