



INSTRUCTIONS PERTAINING TO RISK OF FIRE OR INJURY TO PERSONS. READ ALL INSTRUCTIONS. IMPORTANT SAFETY INSTRUCTIONS. SAVE THESE INSTRUCTIONS.

DANGER - RISK OF SHOCK - DISCONNECT POWER BEFORE INSTALLATION! Please read all instructions before installation.

- Keep these instructions for future reference.
- Must be installed by a qualified electrician in accordance with national and local standards. Designplan is not responsible for fixtures installed without regard to these standards.
- The main power connection must be in accordance with local electrical codes.
- Unauthorized alterations or tampering of product voids warranty.
- Suitable for INDOOR applications.

ATTENTION: For Surface - It is the contractor's responsibility to caulk around all the edges between the fixture and the mounting surface to satisfy wet label requirements.



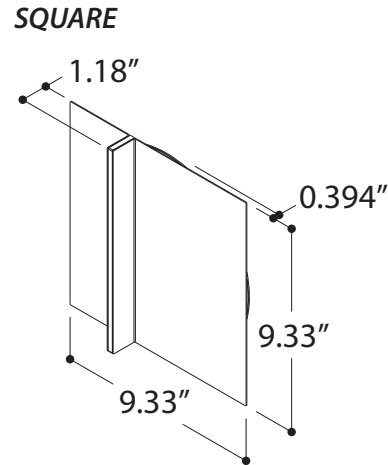
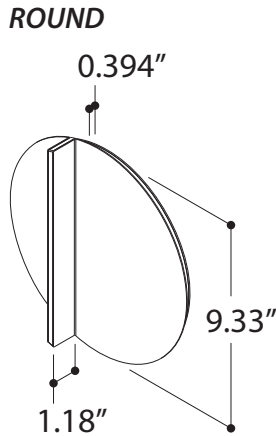
IP20

Maintenance

Scheduled maintenance must be carried out once a year on all lighting devices, regardless of appliance class and type of use. It must include the following operations:

- Periodically clean fixtures to remove dirt from gratings and screw heads.
- Check tightness of screws on various parts of the device.
- Check that all cable glands and cables are intact and tight. Check that the glass or plastic lens is intact, and replace it if broken or damaged.
- The internal components such as the ballast, driver, washers and screws must not show clear signs of oxidation or rust. Clear traces of rust and oxidation will indicate the presence of water inside the device.
- In the case of damage, the components must be replaced by original components or spare parts.

FIXTURE DIMENSIONS:



*Cleaning



Use a slightly damp microfibre cloth.



Never use masking tape to protect the cover plate or the frame when painting. We recommend to fully disassemble the devices.

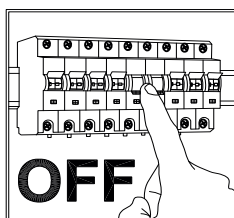


Never use abrasive sponges, abrasives & polishing powders.



Never use stubborn chemical and alcoholic cleaning agents. These will damage the protective layer.

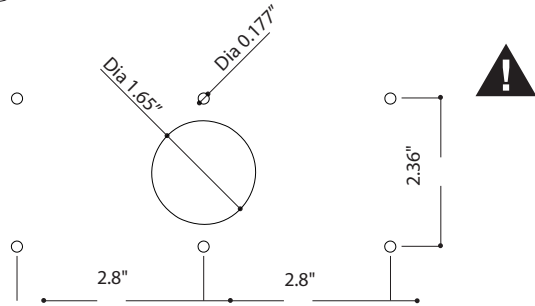
FIXTURE INSTALLATION



- It is the contractor's responsibility to caulk around all the edges between the fixture and the mounting surface, to satisfy wet label requirements.
- It is the contractor's responsibility to install Remote Driver in a suitable electrical enclosure.

A. Direct surface mounted on hollow wall:

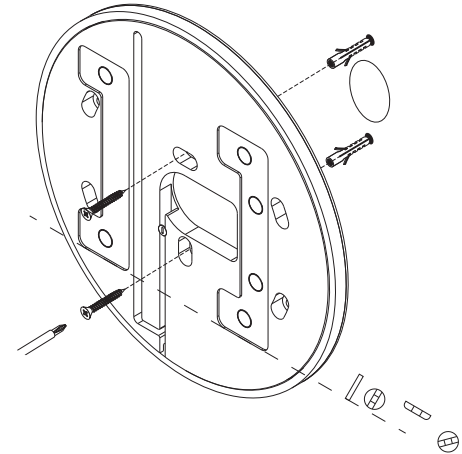
- ① Drill hole $\varnothing 1.65''$ and make drillpattern



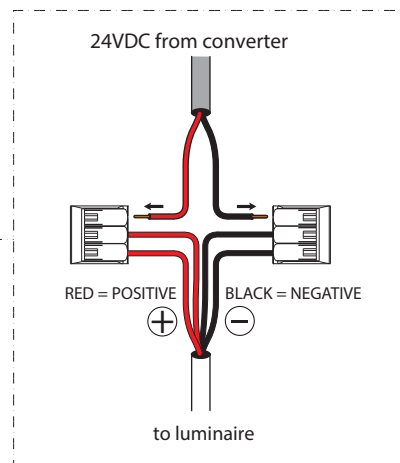
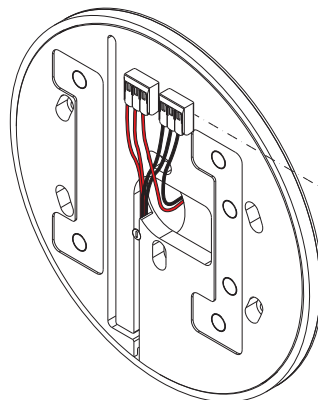
MINIMUM INSTALLATION
DEPTH = 1.575''

USE AT LEAST TWO SCREW POINTS
FOR FIXING, PLEASE CONSIDER
HORIZONTAL OR VERTICAL
FRONT LIGHT POSITION BEFORE
MAKING THE DRILLPATTERN

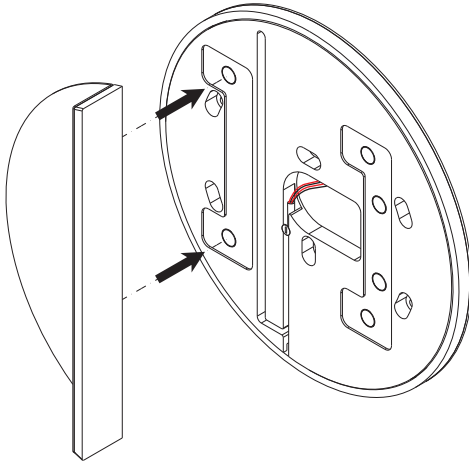
- ② Mount the baseframe



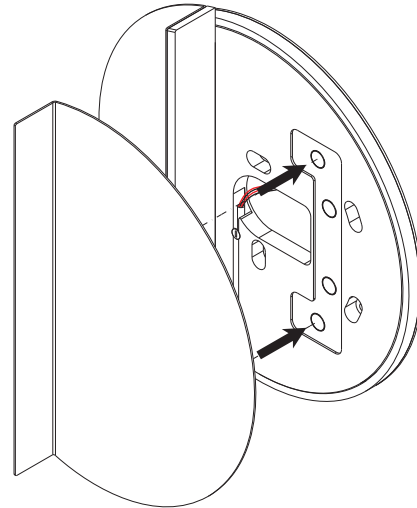
- ③ Make electrical connection



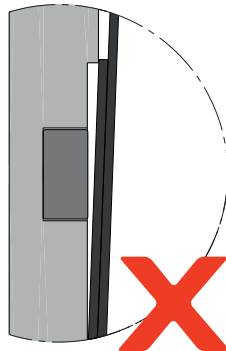
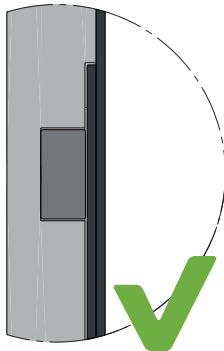
④ Attach the left coverplate



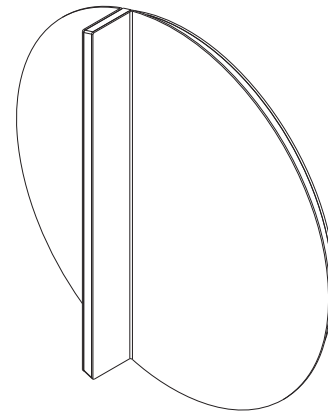
⑤ Attach the right coverplate



PLEASE MAKE SURE THE ORIENTATION PLATE WHICH IS MOUNTED ON THE COVERPLATE IS PROPERLY FIXED AND LOCATED IN THE PROVIDED BASEFRAME SLOT, PLEASE CHECK AFTER INSTALLING

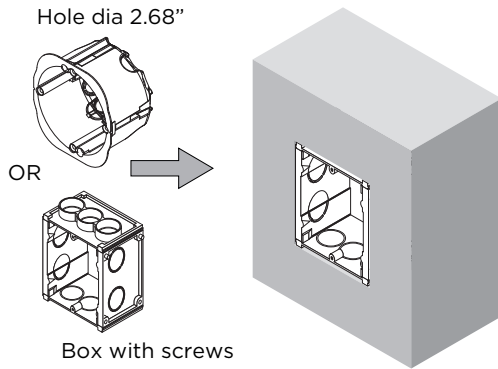


⑥ Switch on mains power supply

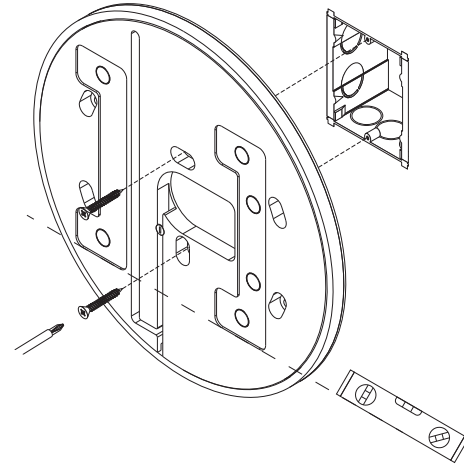


B. Recessed mounted on hollow / solid wall using electrical accessory box:

① Install recessed wall box



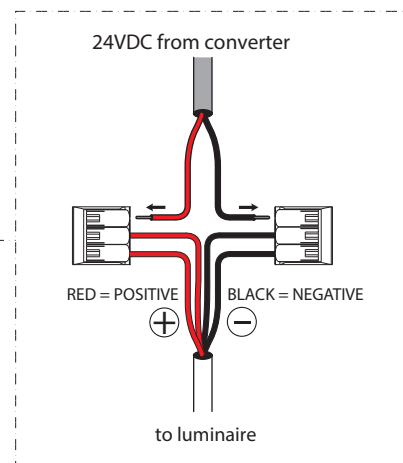
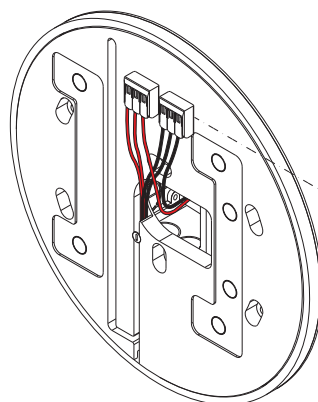
② Mount the baseframe



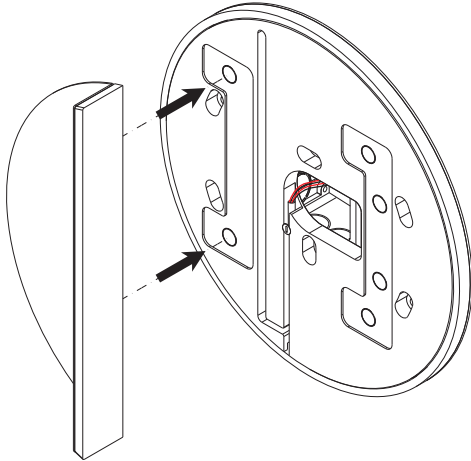
COSMOPOLITAN IS COMPATIBLE WITH SINGLE, DOUBLE OR TRIPLE DEVICE WALL BOXES

USE AT LEAST TWO SCREW POINTS FOR FIXING, PLEASE CONSIDER HORIZONTAL OR VERTICAL FRONT LIGHT POSITION BEFORE INSTALLING THE WALL BOX

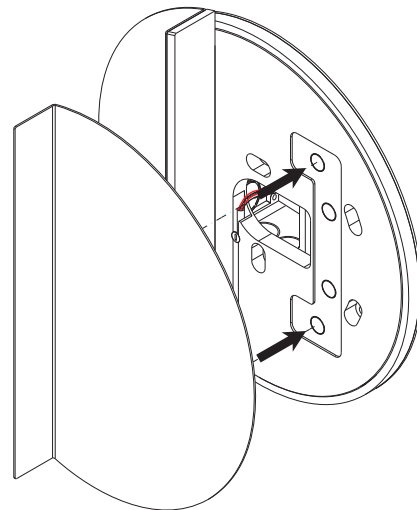
③ Make electrical connection



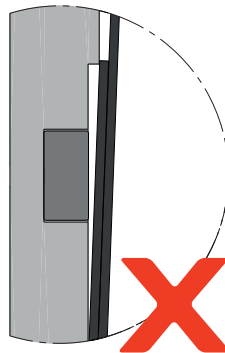
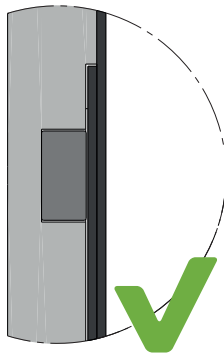
④ Attach the left coverplate



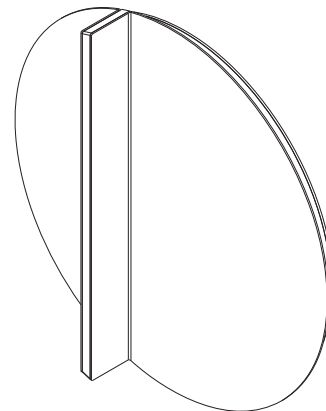
⑤ Attach the right coverplate



PLEASE MAKE SURE THE ORIENTATION PLATE WHICH IS MOUNTED ON THE COVERPLATE IS PROPERLY FIXED AND LOCATED IN THE PROVIDED BASEFRAME SLOT, PLEASE CHECK AFTER INSTALLING

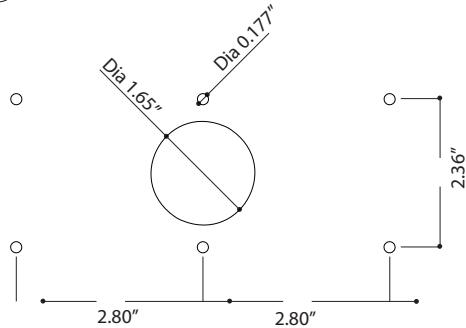


⑥ Switch on mains power supply

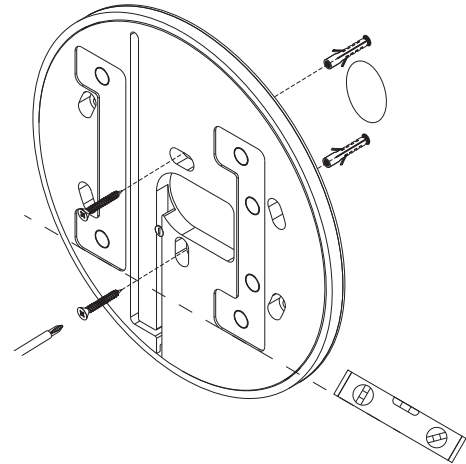


C. Direct surface mounted on solid wall:

① Drill hole $\varnothing 1.65"$ and make drillpattern



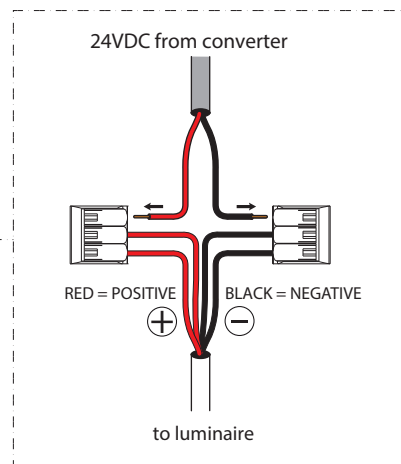
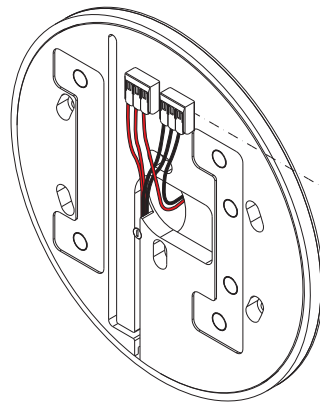
② Mount the baseframe



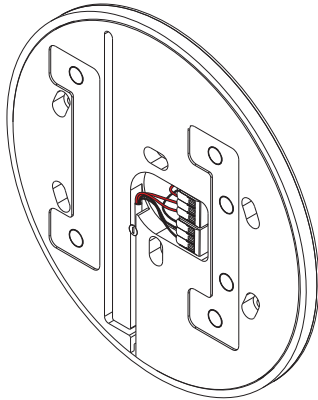
**MINIMUM INSTALLATION
DEPTH = 1.575"**

**USE AT LEAST TWO SCREW POINTS
FOR FIXING, PLEASE CONSIDER
HORIZONTAL OR VERTICAL
FRONT LIGHT POSITION BEFORE
MAKING THE DRILLPATTERN**

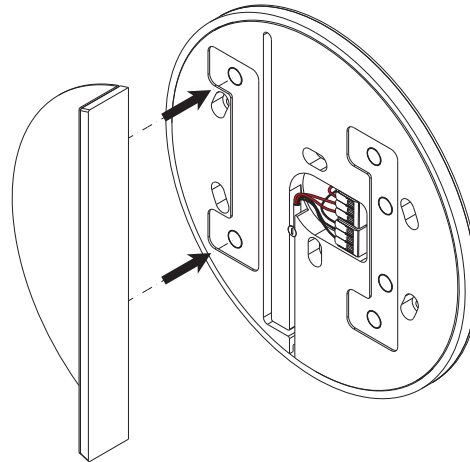
③ Make electrical connection



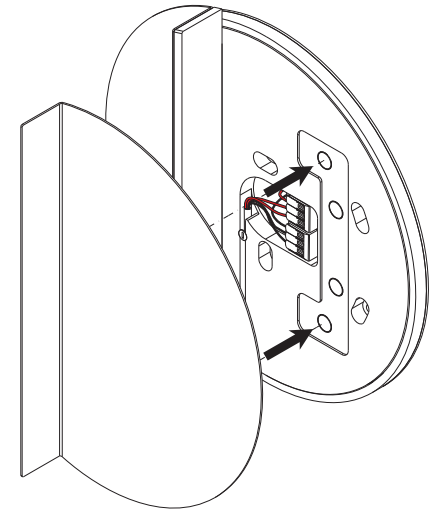
- ④ Hide the connectors in the baseframe connection slot



- ⑤ Attach the left coverplate



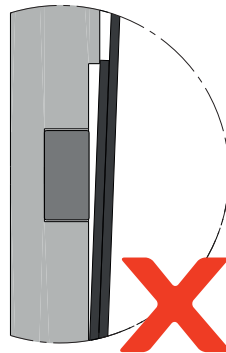
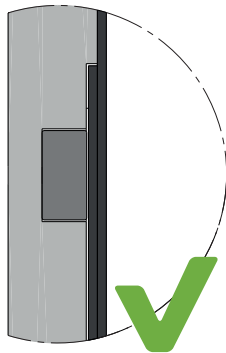
- ⑥ Attach the right coverplate



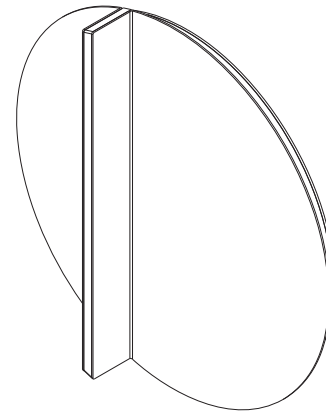
PLEASE MAKE SURE THAT THE CONNECTORS REMAIN BENEATH THE BASEFRAME SURFACE LEVEL WHILST MOUNTING THE COVERPLATES IN THE FOLLOWING STEPS



PLEASE MAKE SURE THE ORIENTATION PLATE WHICH IS MOUNTED ON THE COVERPLATE IS PROPERLY FIXED AND LOCATED IN THE PROVIDED BASEFRAME SLOT, PLEASE CHECK AFTER INSTALLING



- ⑦ Switch on mains power supply

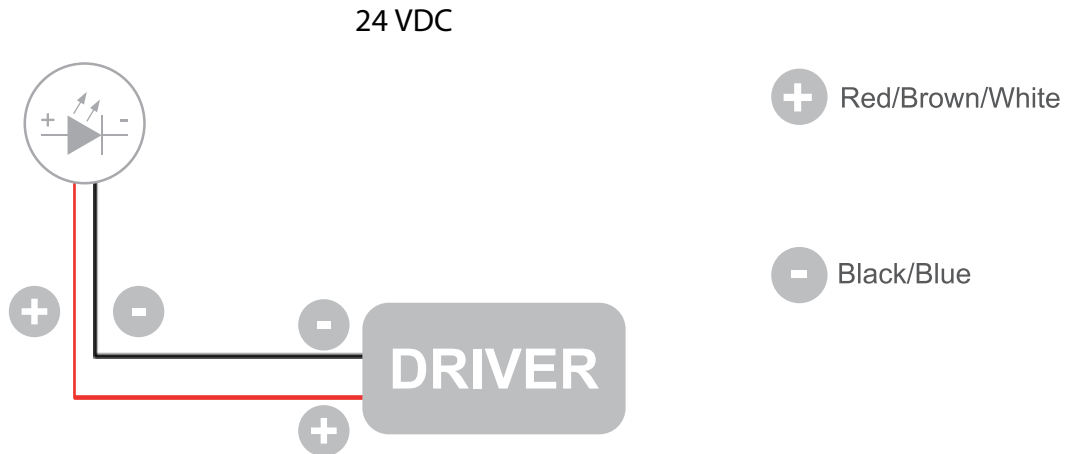


Installation and maintenance instructions regarding the manufacturer's warranty.

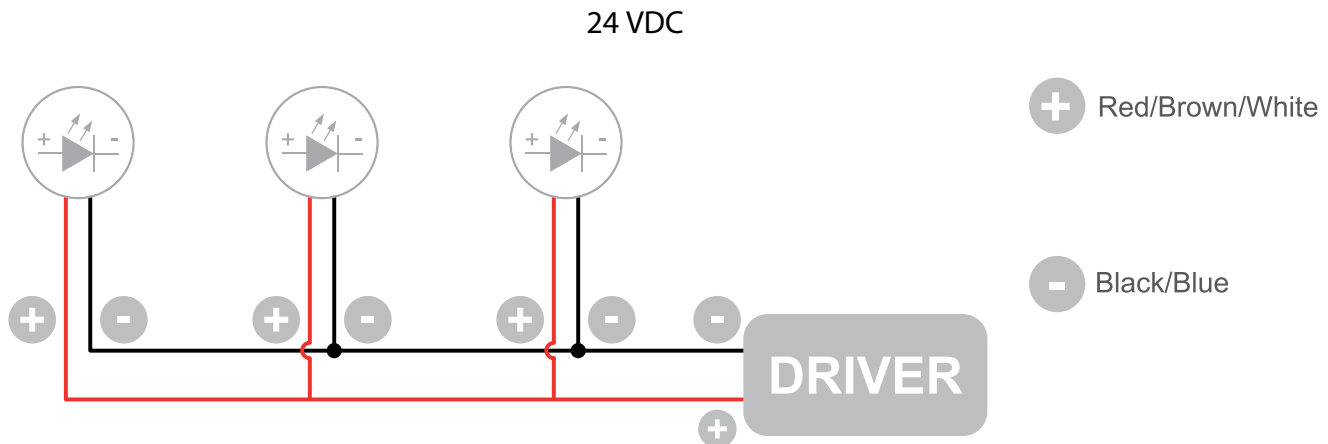
1. Installation, connection and testing of this product must always be performed by a certified electrician.
2. This product must be installed, connected and tested in accordance with the applicable national regulations for electrical installations.
3. The technical manual must be regarded as part of the general sales conditions of TAL nv.
4. The electrical installer is responsible for the use of compatible control gear that meets the applicable IEC standards.
5. Only clean the device with a soft and slightly moist cloth without detergent.
6. Always switch off the electricity supply before installing and connecting the product.

Wiring Diagram

Single Fixture Connection:



Multiple Fixtures Connection in Parallel:



The individual lamps must be connected in parallel. Only power up the system once all the lamps have being connected.

- Only power up the system once all the lamps are connected. Connecting an individual lamp to an active power supply may cause the lamp to break due to over-voltage.
- Lamps and power supply units must be installed in well-ventilated boxes or locations to allow a natural heat diffusion and avoid the devices overheating.
- On the power system, install a surge protection device to reduce the intensity of any voltage spikes to protect the lighting fixtures from the risk of damage.
- Fixture NOT suitable for covering with thermally insulating material.