

**CAUTION**

Turn off the main power at the circuit breaker before installing the fixture in order to prevent possible shock. If you are unfamiliar with proper electrical wiring connections, obtain the services of a qualified electrician.

GENERAL

Read all instructions carefully for safe operation and installation.

All electrical connections must be in accordance with local and national electrical code (N.E.C.) standards.

Remove the fixture and mounting package from the box.

Make sure no parts are missing by referencing the illustrations on these Installation Instructions. Please contact Blackjack Lighting at 847-941-0588 if any parts are missing or damaged.

This product is suitable for DAMP locations.

INSTALLATION FOR SP5 CANOPY (DRIVER ON TOP OF 5" CANOPY)**PREPARATION**

1. Carefully remove the fixture from its box.
2. Screw the three-pin spacer(22) on to the socket(23). Then screw the light guide(24) into the socket(23).
3. To remove the canopy cover(12) from the ceiling plate(10) first loosen the thumbscrew(13), then push the canopy cover(12) up and twist to the left.
4. Pull the supply wires (3 & 5) and house ground wire(7) from the outlet box(1).

ELECTRICAL CONNECTIONS

5. Using the wire connector(9), connect the low voltage modular connector from driver(14) to the low voltage modular connector from pendant(17); and connect the house ground wire(7) to the fixture ground wire(8).

MOUNTING FOR SP5 CANOPY (see page 3 for SP2 / Remote Driver)

6. Once all the wires are connected carefully push them together and secure them inside the outlet box(1). Secure the ceiling plate(10) to the outlet box(1) by sliding the mounting screws(11) through the holes in the ceiling plate(10) and screwing them into the outlet box(1).

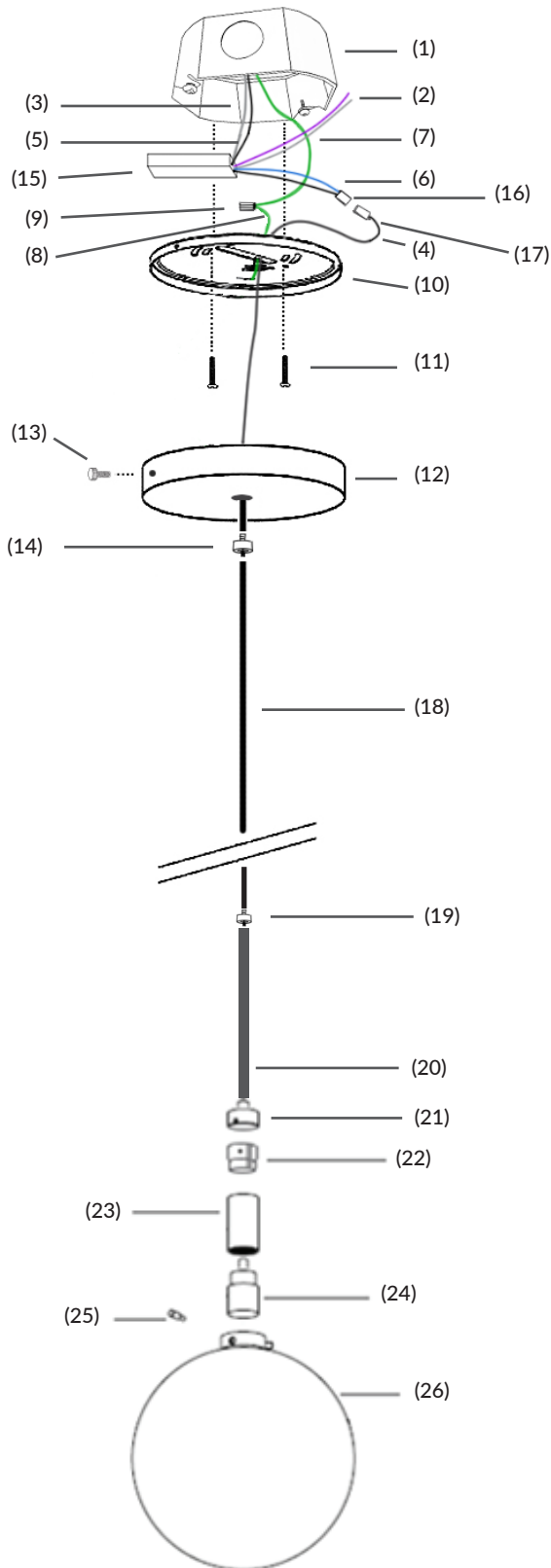
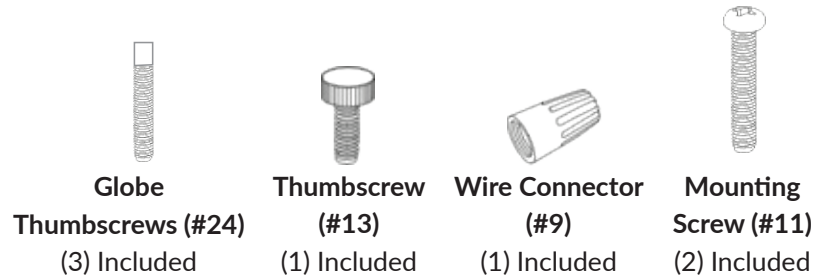
FINAL ASSEMBLY

7. Adjust the pendant cable(17) to the desired length (if in doubt about exact length needed, leave a little extra cable until the final installation of the canopy cover(12)). Attach second gripper and stem (6" stem for 8" sphere, 12" stem for 12" sphere).
8. Push the excess cable(18) up into the canopy cover(12) by pressing the small barrel of the gripper(14) upward. This will release the cable tension and allow the suspended cable to be pulled through gripper(14). Wind the excess cable inside the canopy cover(11). Wrap the supplied Velcro strap to keep the excess cable from falling outside of the canopy. Then attach the low voltage power feed by plugging in the female connector(17) coming from the driver(13) to the male connector coming from the pendant cable(21).
9. Secure the canopy cover(12) to the ceiling plate(10) by first aligning the canopy cut outs with the ceiling plate(10) tabs then pushing the canopy cover(12) up over the ceiling plate(10) and twisting to the right. Lastly secure them together with the thumbscrew(13).
10. Carefully hold the globe(25) over the socket assembly(19-23). Screw in the three thumbscrews(25) to secure in place.

DIMMING: TRIAC or ELV dimming. For more information, see blackjacklighting.com.

Questions? Please contact Blackjack Lighting at 847-941-0588.

HARDWARE

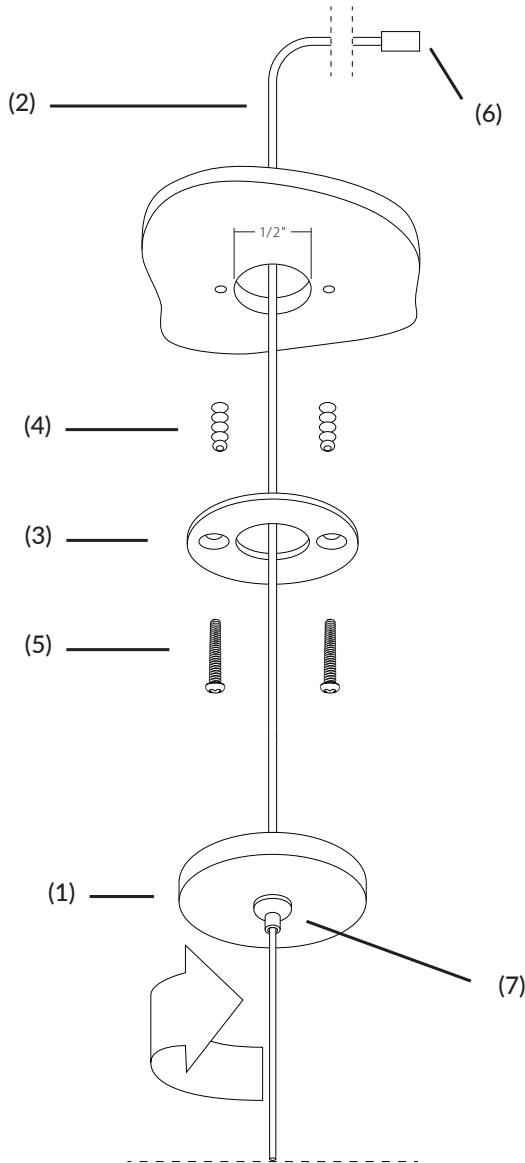


1. OUTLET BOX (By Others)
2. 0-10V CONTROL INPUT WIRES (Optional)
3. WHITE SUPPLY WIRE
4. (FLAT) WHITE FIXTURE WIRE
5. BLACK SUPPLY WIRE
6. GRAY & BLUE FIXTURE WIRES
7. HOUSE GROUND WIRE
8. FIXTURE GROUND WIRE
9. WIRE CONNECTOR
10. CEILING PLATE
11. MOUNTING SCREWS
12. CANOPY COVER
13. THUMBSCREW
14. GRIPPER
15. DRIVER
16. LOW VOLTAGE MODULAR CONNECTOR (From Driver)
17. LOW VOLTAGE MODULAR CONNECTOR (From Pendant)
18. SUSPENDED CABLE
19. SUPPORT STEM
(8" Sphere = one 6" Stem; 12" Sphere = 12" Stem)
20. GRIPPER for Stem
21. SOCKET CAP
22. THREADED 3-PIN SPACER
23. SOCKET
24. LIGHT GUIDE
25. GLOBE THUMBSCREW (three)
26. GLASS GLOBE

INSTALLATION FOR SP2 CANOPY (REMOTE DRIVER with 2.5" CANOPY)

NOTE: Fixture must be mounted to rigid ceiling material (sheet rock, fire rated plywood or similar) that can support the weight of the fixture and accept drywall anchors, expandable fasteners or similar structural fasteners.

NOTE: Recommended hole diameter for the ceiling hole is 1/2" but not bigger than 3/4".



1. Each pendant has two mounting screws(5) that require an anchor(4) to be mounted into the ceiling material (screws and anchors to be provided by final installer).
2. Ceiling top plate(3) has two holes for mounting with threads on the sides, to be used to mount the bottom housing(1).
3. Install the gripper(7) in the mounting hole in the canopy cover. Pull the coaxial cable through the gripper to determine the desired height of pendant.
4. The bottom housing(1) screws onto the top ceiling plate(3).
5. Each pendant has at least 8' of wire to connect to the remote driver (no cutting/splicing required).
6. Each pendant has a male modular plug(6) located at the end, to be plugged into the wire harness attached to the remote driver.

DIMMING: TRIAC or ELV dimming. For more information, see <https://www.>

PARTS

1. Bottom housing
2. Wire/Cable
3. Ceiling top plate
4. Anchors (by others)
5. Mounting screws
6. Male modular plug
7. Gripper