



## CAUTION

Turn off the main power at the circuit breaker before installing the fixture in order to prevent possible shock. If you are unfamiliar with proper electrical wiring connections, obtain the services of a qualified electrician.

## GENERAL

Read all instructions carefully for safe operation and installation. All electrical connections must be in accordance with local and national electrical code (N.E.C.) standards. Remove the fixture and mounting package from box. Make sure no parts are missing by referencing these Installation Instructions. Please contact Blackjack Lighting at 847-941-0588 if any parts are missing or damaged. This product is suitable for DAMP locations.

## PREPARATION

1. Remove fixture/housing and diffuser (11, 13) from box.
2. Remove backplate (10A or 10B) from box.
3. Remove driver assembly (with mounting plate) (15, 17 or 16, 17) from box.
4. Pull the supply wires (2 & 4) and the house ground wire (6) out of outlet box (1).

## MOUNTING

5. Attach the backplate (10A or 10B) to outlet box (1) by inserting mounting screws (9) through the slots in the back panel (10) and then tightly secure the mounting screws (9) into the outlet box (1). [See Illustration 1]
6. For Shallow Backplate (10A): Take driver assembly (15, 16 or 16, 17) and push the white fixture wire (3) and the black fixture wire (5) through the round hole next to the rectangular opening in the backplate (10A or 10B) [See Illustration 2]
7. For the for the 120-277V driver assembly (16, 17) also push the pink and purple wires (for 0-10V) through the round hole next to the rectangular opening in the backplate (10A or 10B). [See Illustration 1]

## ELECTRICAL CONNECTIONS

8. Using the wire connectors (8), connect the white supply wire (2) to the white fixture wire (3): connect the black supply wire (4) to the black fixture wire (5) and connect the house ground wire (6) to the fixture ground wire (7).
9. If required, connect 0-10V pink and purple dimming wires (20, 21) to similar color dimming wires found in outlet box (1).
10. For Shallow Backplate (10A): Push driver assembly (15, 16 or 16, 17) into the rectangular opening of back panel (10A). Push excess wires into the outlet box (1). Attach driver mount plate (17) to back panel (10A) with fasteners (18).
11. For Deep Backplate (10B): Remove white driver mounting plate from driver (15 or 16) by removing driver hold-down screw (24). Attach driver (15 or 16) directly to rear of deep backplate (10B) by inserting screws (24).
12. Arrange the driver wires through large center hole in backplate (10B). [See Illustration 3]

## ADJUST CCT SWITCH

13. On the back of housing (11) is a slide switch that shows four different CCT options for this fixture. Position the switch next to the desired color temperature. [See Illustration 4]

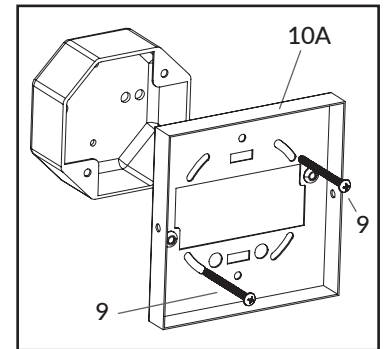


ILLUSTRATION 1

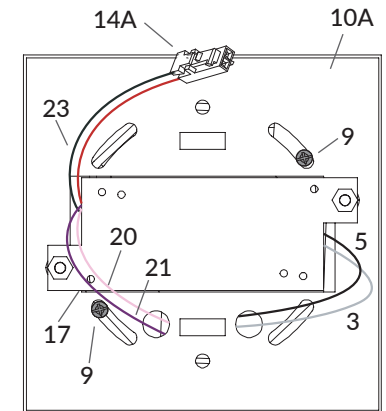


ILLUSTRATION 2

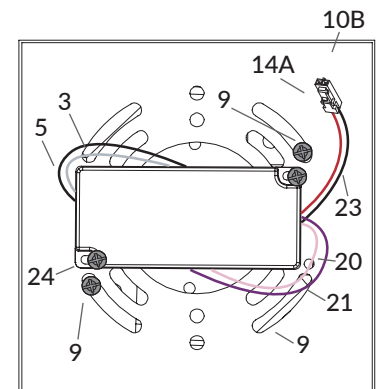


ILLUSTRATION 3

### FINAL ASSEMBLY

14. Secure the fixture housing (11) to the lens diffuser (13). Align the screws coming from the side of the lens diffuser (13) with the holes in the fixture housing (11). Then insert the screws and hand tighten the two knurled nuts (22).
15. Connect white microconnector (14A) coming from driver assembly to microconnector (14B) coming from fixture.
16. Position assembled fixture housing (11) to attach to backplate (10A or 10B) and fasten the two side screws (12) into the side of backplate (10A or 10B). [See Illustrations 5 & 6]

### DIMMING

17. Dimming type: TRIAC dimming with 120V standard driver (15) or 0-10V dimming with 120-277V upgraded driver (16).

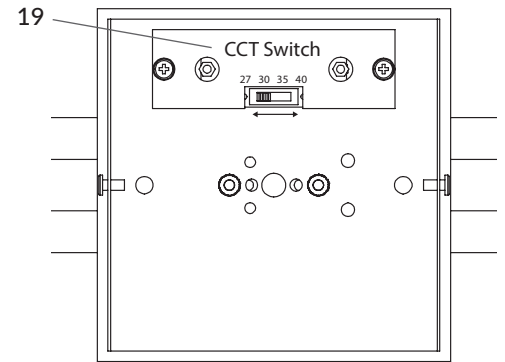


ILLUSTRATION 4

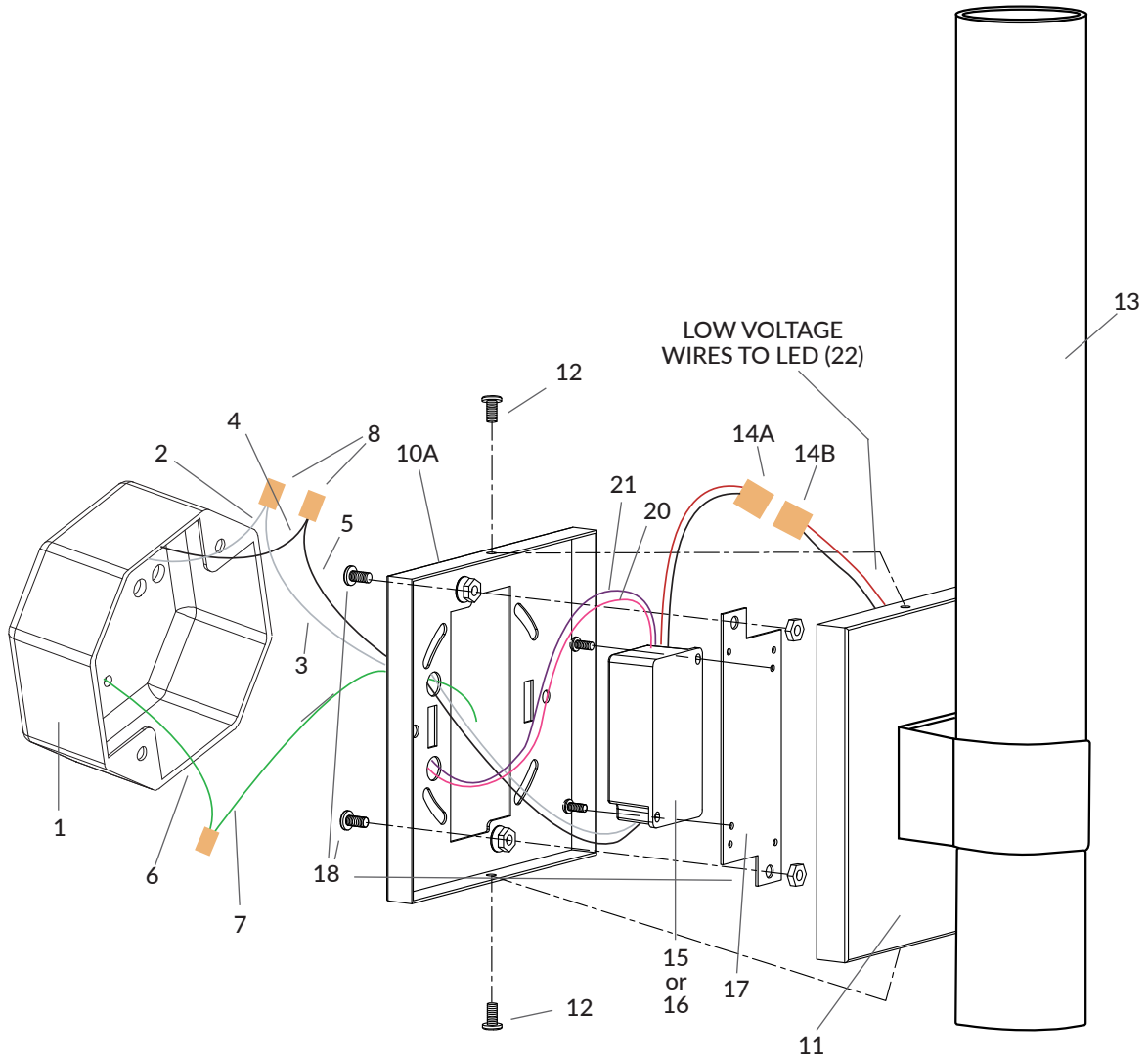


ILLUSTRATION 5

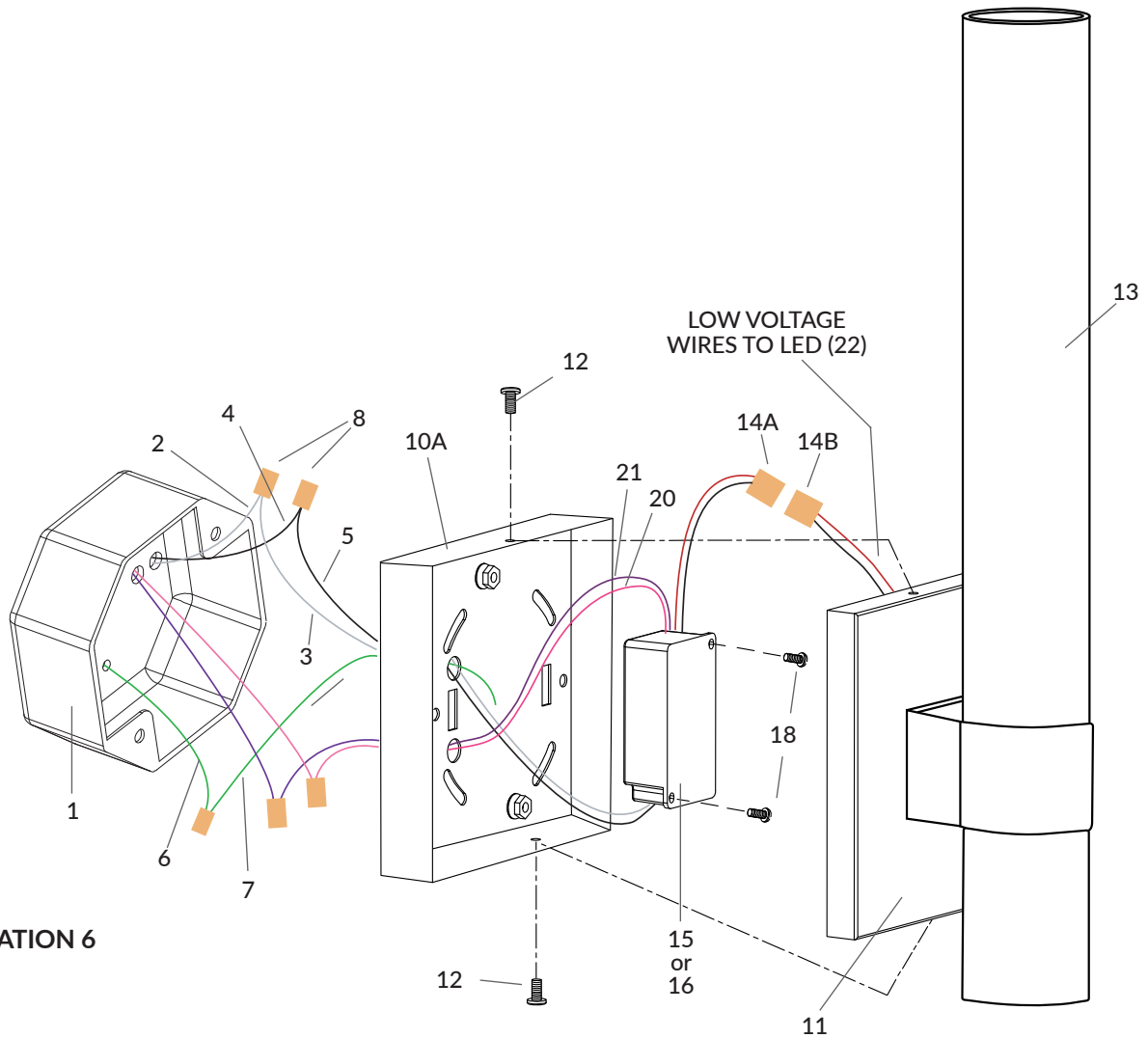


ILLUSTRATION 6

- |                               |  |   |
|-------------------------------|--|---|
| 1. OUTLET BOX (BY OTHERS)     | 10A. SHALLOW BACKPLATE                 | 15. 120VAC DRIVER                                 |
| 2. WHITE SUPPLY WIRE          | 10B. DEEP BACKPLATE                    | 16. 120-277VAC DRIVER                             |
| 3. WHITE FIXTURE WIRE         | 11. CANOPY FACEPLATE                   | 17. DRIVER MOUNTING PLATE                         |
| 4. BLACK SUPPLY WIRE          | 12. SIDE SCREWS                        | 18. DRIVER PLATE MOUNTING SCREWS (2) AND NUTS (4) |
| 5. BLACK FIXTURE WIRE         | 13. ACRYLIC LENS                       | 19. CCT SWITCH                                    |
| 6. HOUSE GROUND WIRE          | 14A. WHITE MICROCONNECTOR FROM DRIVER  | 20. PINK 0-10V DIMMING WIRE                       |
| 7. FIXTURE GROUND WIRE        | 14B. WHITE MICROCONNECTOR FROM FIXTURE | 21. PURPLE 0-10V DIMMING WIRE                     |
| 8. WIRE CONNECTORS            |  | 22. LOW VOLTAGE WIRES TO LED                      |
| 9. BACK PLATE MOUNTING SCREWS |  |   |

### HARDWARE



Wire Connector (#8)  
(3 included)



Back Plate Mounting Screw (#9)  
(2 included)



Side Screw (#12)  
(2 included)



Driver Plate Mounting Screw and Nuts (#18)  
(2 screws & 4 nuts included)